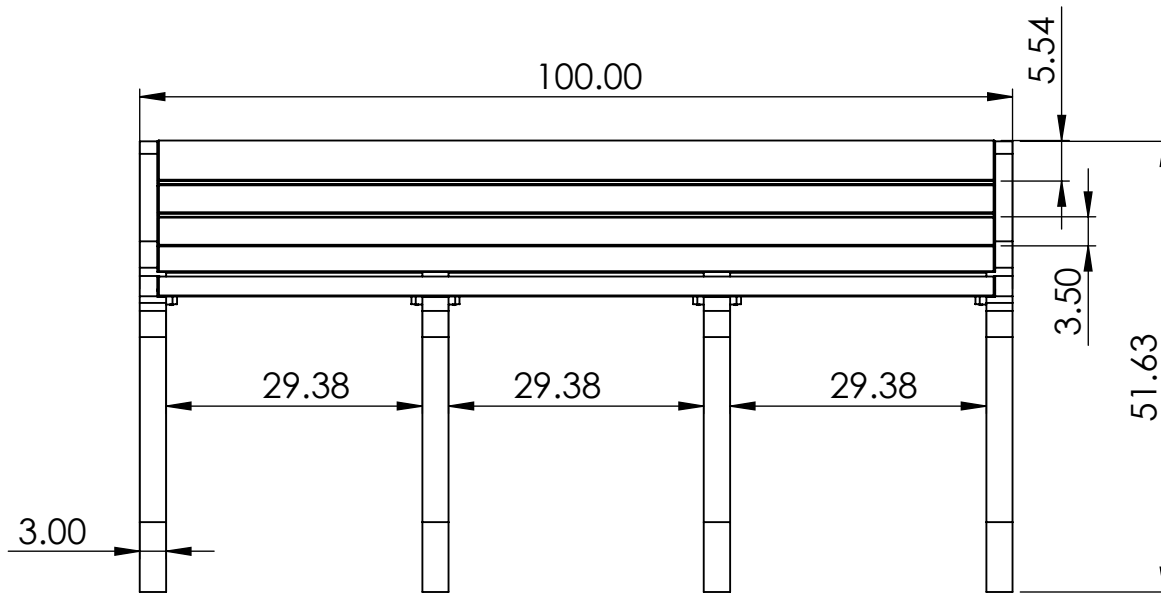
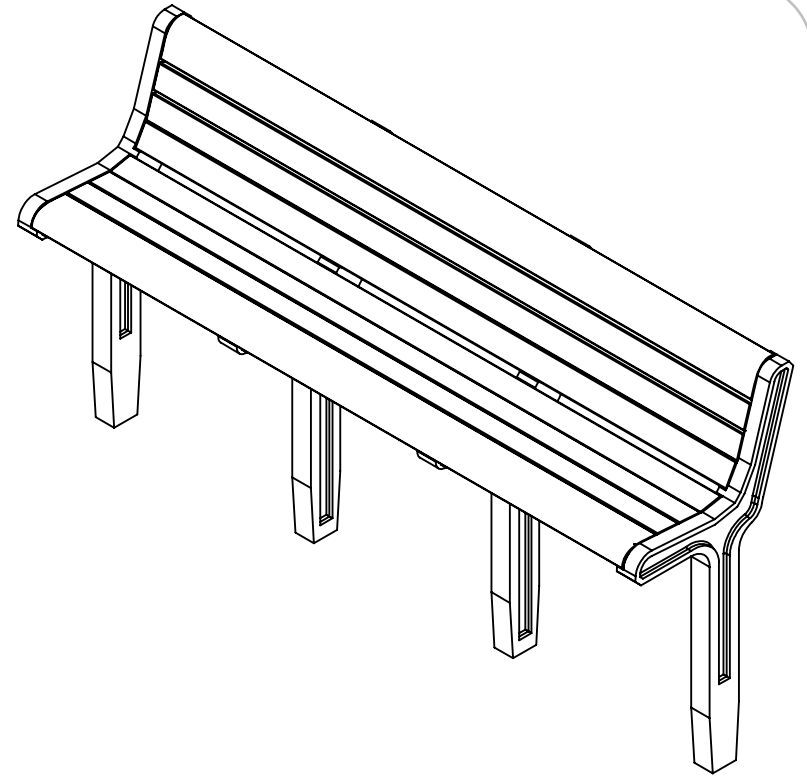
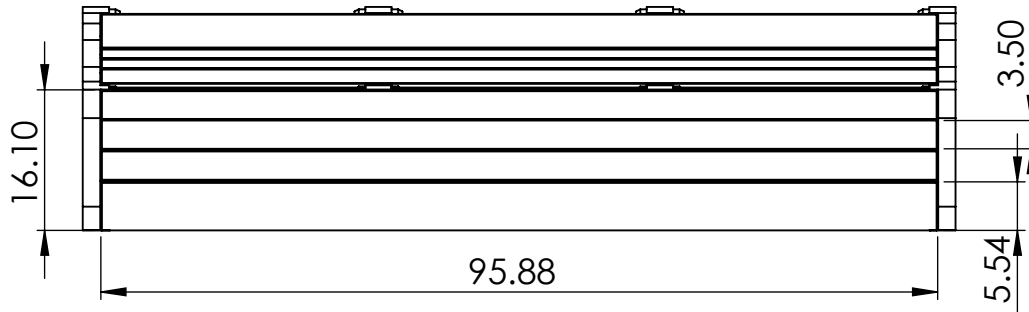


# BENCH SPECIFICATIONS

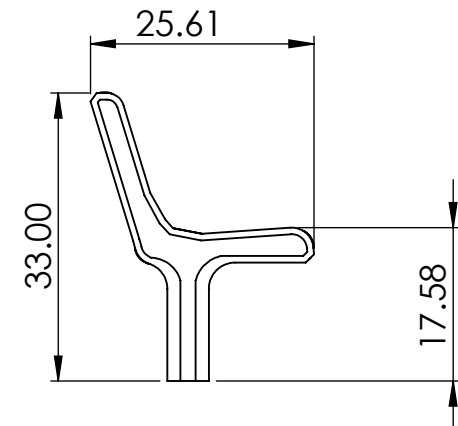
REV# 3  
3/21/2018

BC2085  
BC2086  
BC2087  
BC2088  
BC2089

### TOP



### FRONT



### SIDE

**CONSTRUCTION MATERIALS:**  
Recycled Plastic  
**HARDWARE:**  
Stainless Steel

ALL DIMENSIONS ARE SHOWN IN INCHES