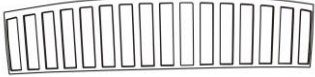
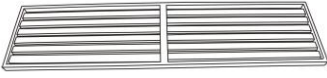
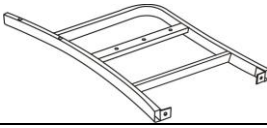
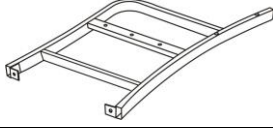

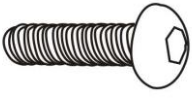



Assembly Instructions

6' Steel Park Bench w/ Vertical Slats

Before assembly, be sure that all components are included.

Part List	Description	Qty.	Drawings
A	Backrest	1	
B	Seat Panel	1	
C1	Left Armrest	1	
C2	Right Armrest	1	
D	Bolt (M8x35)	6	
E	Bolt (M8x25)	4	
F	Allen Wrench	1	

Tool required: Allen Wrench (Provided)



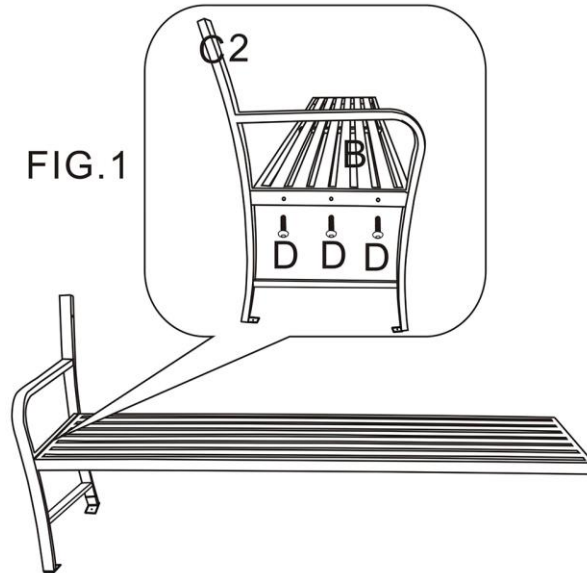
Special Warnings

- The bench is made to sit on four legs, do not tilt back on two legs as it may result in injury or damage.

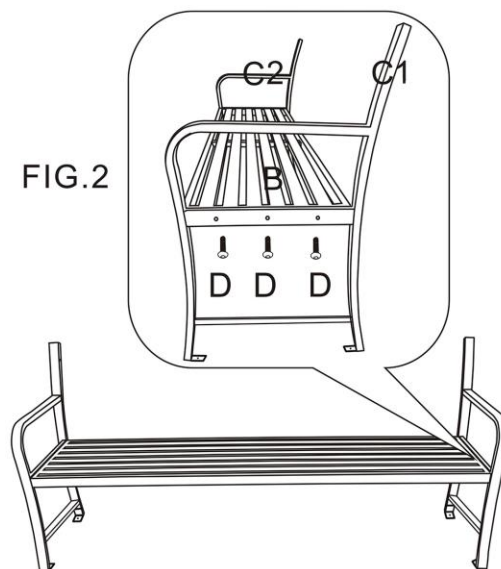
- The bench is made to sit on solid ground ,make sure not to place on soft ground as it may result in injury or damage.
- Inspect before every use; do not use if parts are loose or damaged.
- This product is not a toy. Do not allow children to play with or on this item.

Assembly Steps:

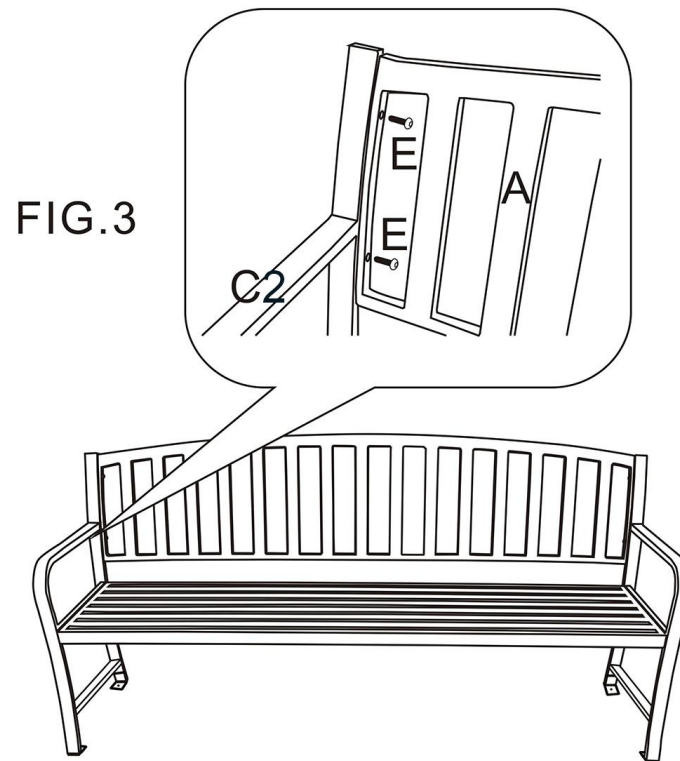
Step # 1: Place all parts on a clean surface. Attach the Seat Panel (B) to the Right Armrest (C2) by using Bolts (D). **Hand tighten!**



Step # 2: Attach the Seat Panel (B) to the Left Armrest (C1) by using Bolts (D). **Hand tighten!**



Step # 3: Attach the Backrest (A) to the Right Armrest (C2) and Left Armrest (C1) by using Bolts (E). **Hand tighten!**



Step # 4: Adjust the bench to a level position and tighten all the Bolts with Allen Wrench (F) (Provided).
Now your product is ready for use! Please enjoy it!

FIG.4

