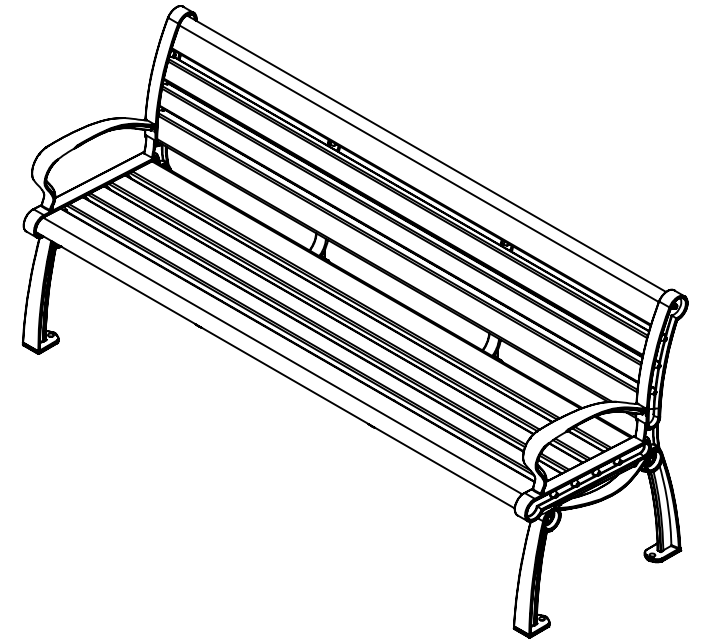
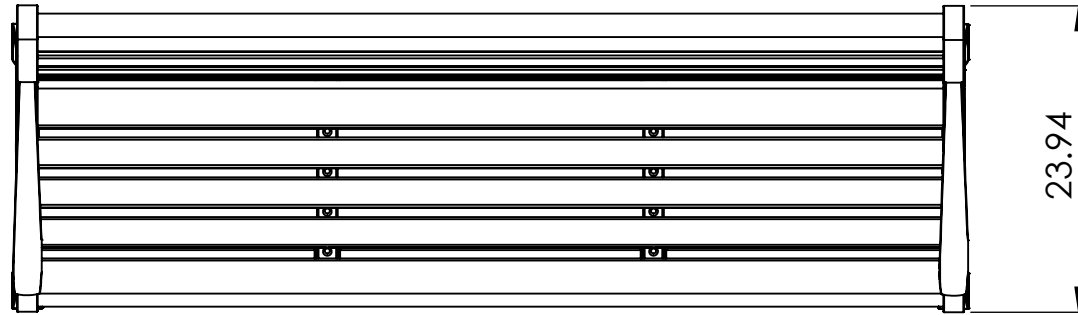


# BENCH SPECIFICATIONS BC1350

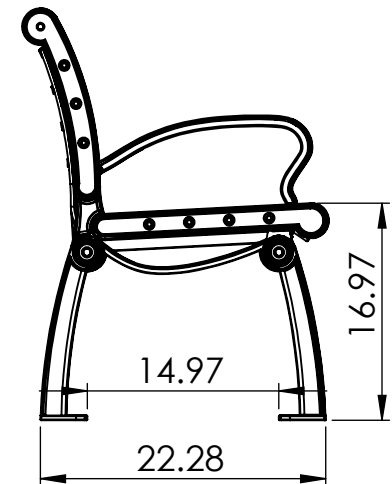
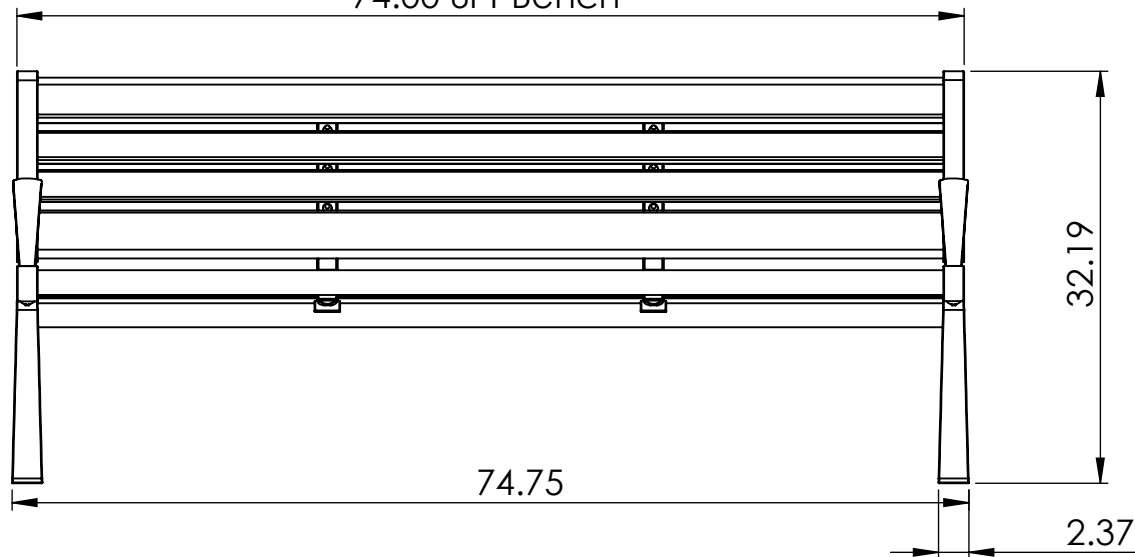
REV# 2  
1/18/18

TOP



Tear drop board 3.75" x 1.34" 2.88" of flat surface on board  
Bull nosed board 3.75" x 1.34" 3.00" of flat surface on board  
Square board 2.36" x 1.34"

74.00 6FT Bench



## CONSTRUCTION MATERIALS:

Recycled Plastic  
Cast Aluminum

## HARDWARE:

Stainless Steel

ALL DIMENSIONS ARE SHOWN IN INCHES