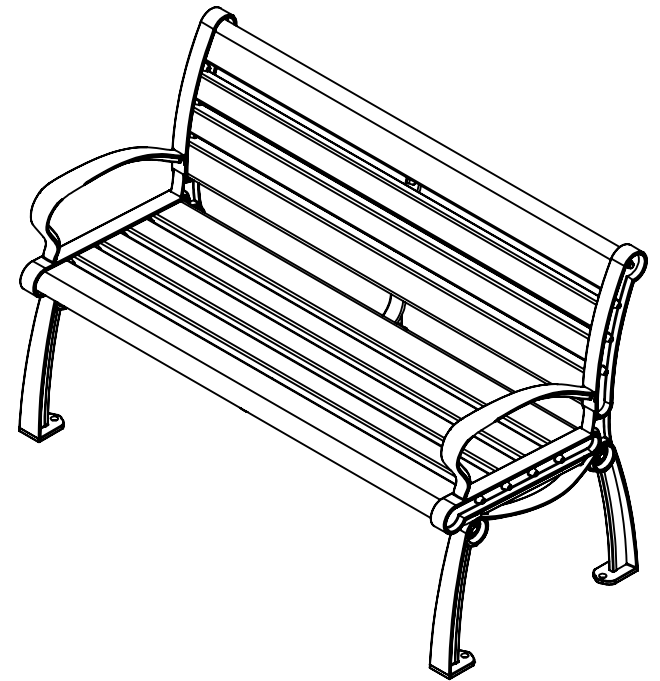
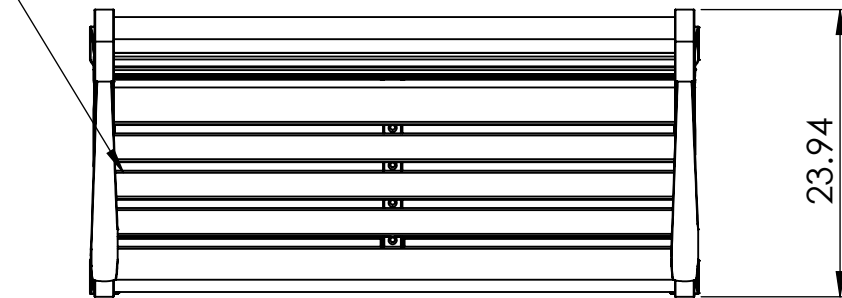


# BENCH SPECIFICATIONS BC1360

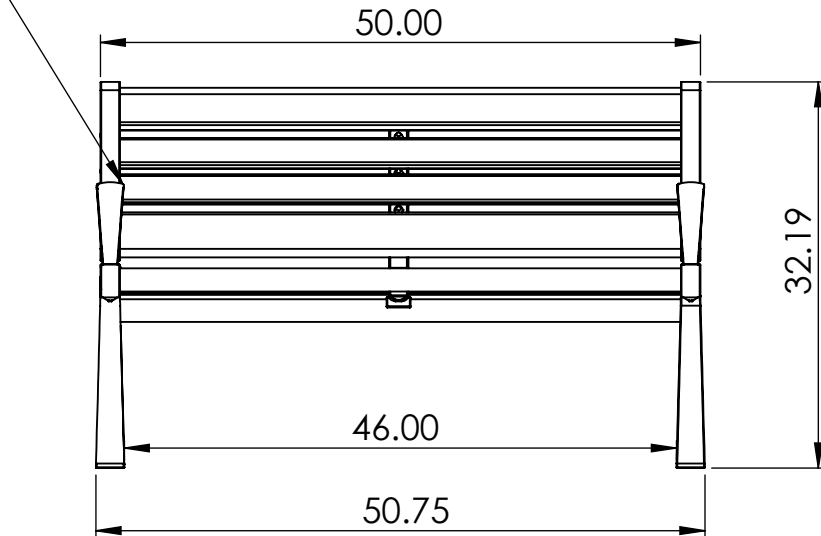
REV# 2  
1/23/18



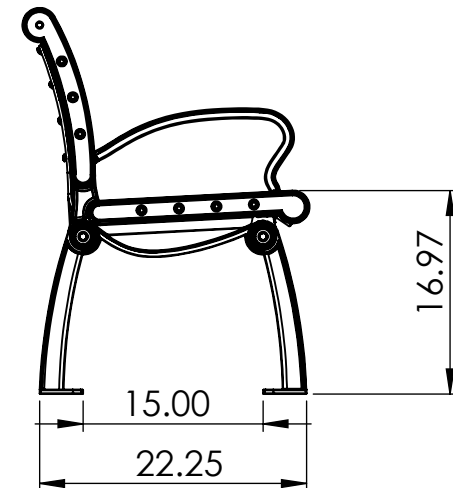
Seat Spacing  
Approx. 3/4"



Back Spacing  
Approx. 7/8"



Tear drop board 3.75" x 1.34" 2.88" of flat surface on board  
Bull nosed board 3.75" x 1.34" 3.00" of flat surface on board  
Square board 2.36" x 1.34"



## CONSTRUCTION MATERIALS:

Recycled Plastic  
Cast Aluminum

**HARDWARE:**  
Stainless Steel

ALL DIMENSIONS ARE SHOWN IN INCHES