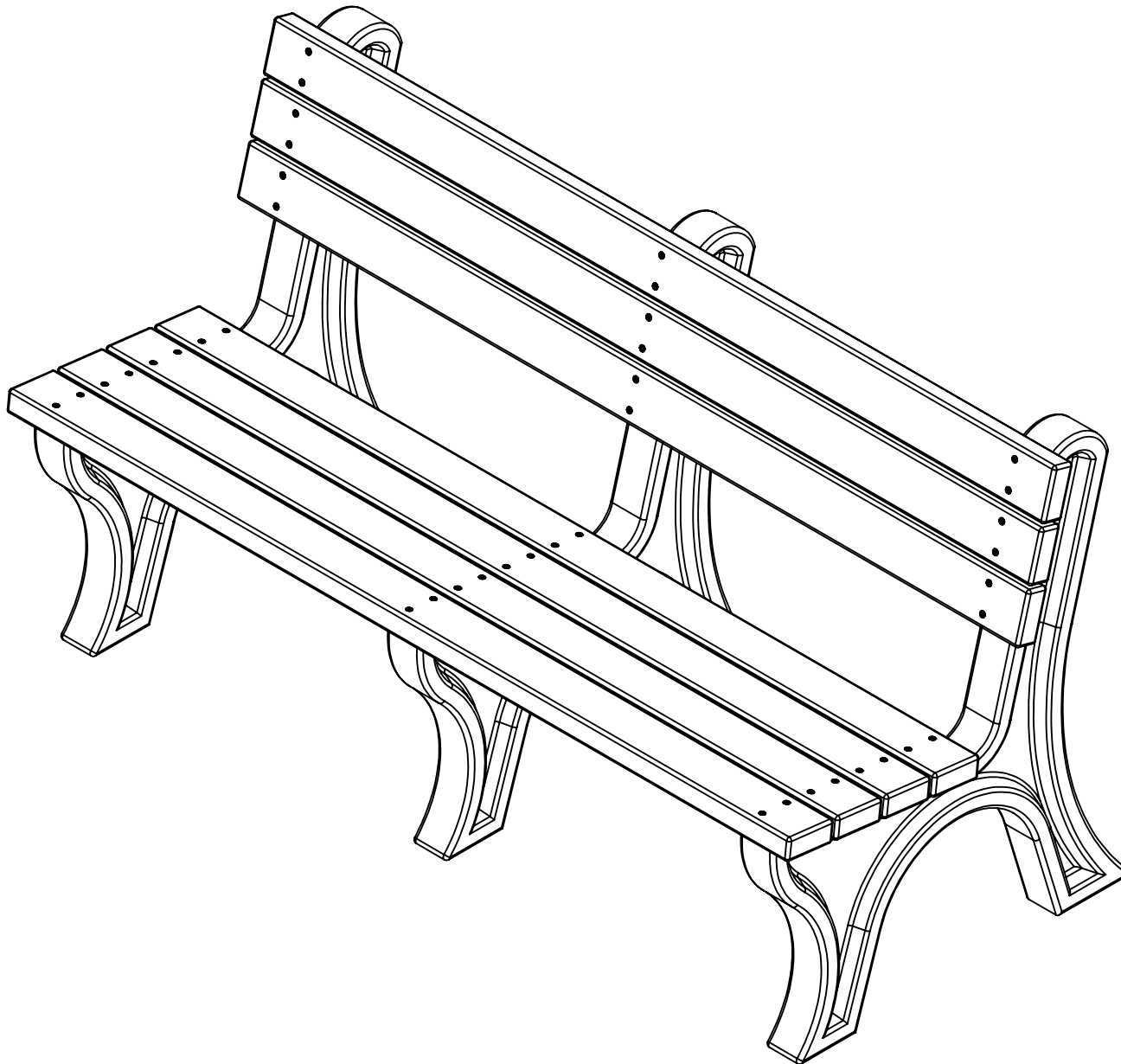


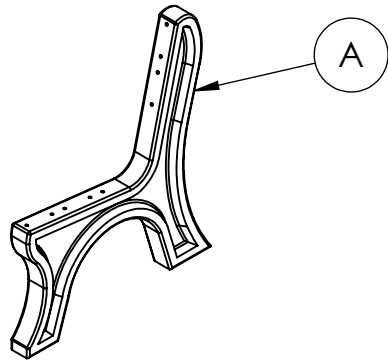
BENCH INSTRUCTIONS

REV#4
9/21/22

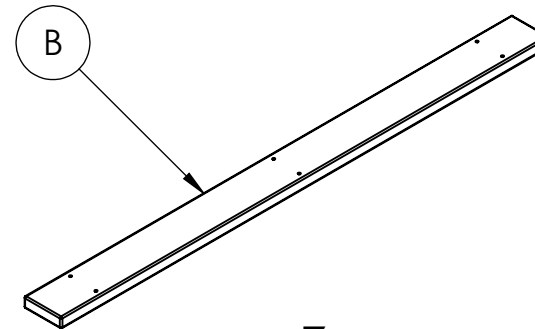
KBC1115
KBC1120
KBC1125
KBC1151
KBC1152
KBC1153
KBC1155
KBC1156
KBC1157
KBC1161
KBC1162
KBC1163



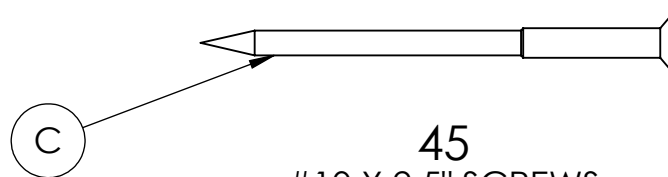
BENCH INSTRUCTIONS



3
BENCH END
ABC-PPL1000



7
PLASTIC BOARDS
ABC-P0097



45
#10 X 2.5" SCREWS

REQUIRED TOOLS (NOT INCLUDED)

- POWER DRILL
- #2 SQUARE DRIVE

NOTE: IT IS IMPORTANT TO KEEP ALL SCREWS LOOSE DURING ASSEMBLY UNTIL ENTIRE BENCH IS ASSEMBLED

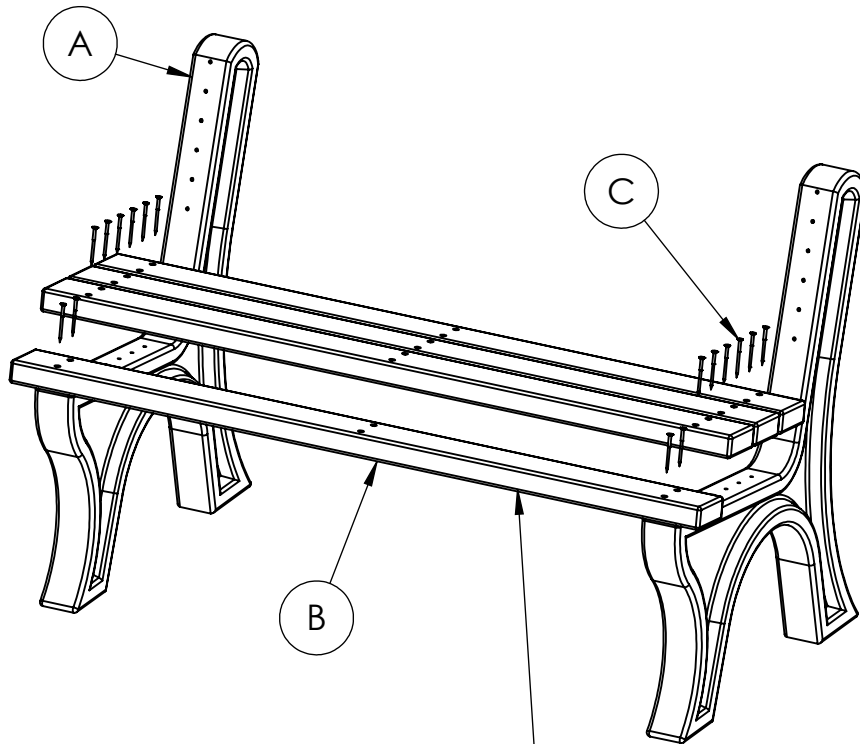
**HARDWARE &
TOOLS REQUIRED
FOR ASSEMBLY**

2/5

BENCH INSTRUCTIONS

STEP 1 Seat Assembly

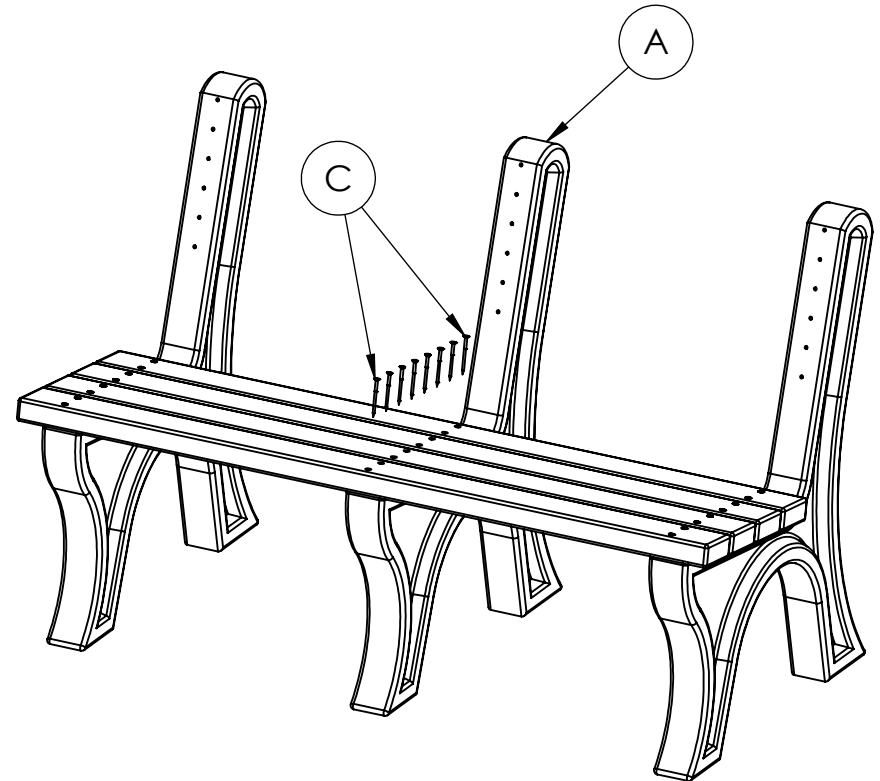
- Stand two outer bench ends (A) upright
- Lay a plastic board (B) over the bench ends (A) closest to the end
- Align the holes in the plastic board with the predrilled holes in the bench ends
- Secure the board (B) with the #10 x 2.5" screws (C)
- Repeat for each plastic board starting at the front seat board and working toward the back



INSTALL THIS BOARD FIRST

STEP 2 Seat Assembly

- Move the remaining bench end (A) to the center of the bench
- Align the predrilled holes in the bench end with holes in the plastic board (B)
- Secure each plastic board to the end with #10 x 2.5" screws (C)

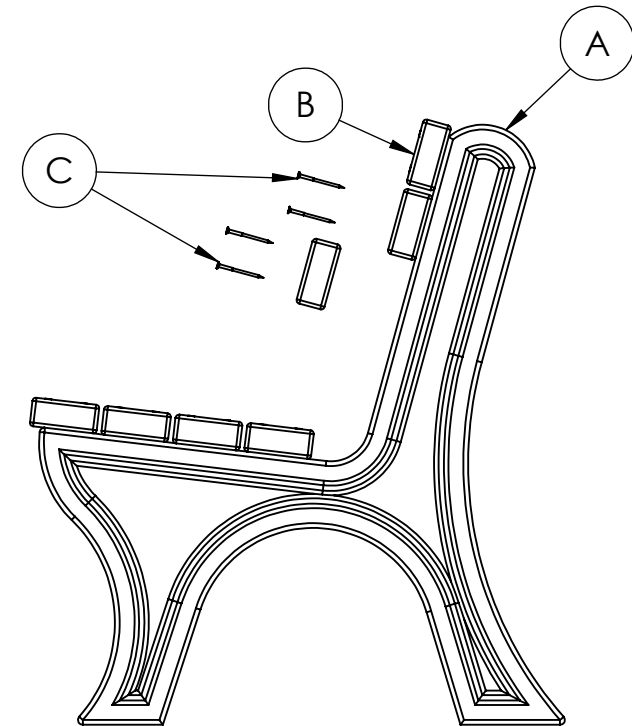
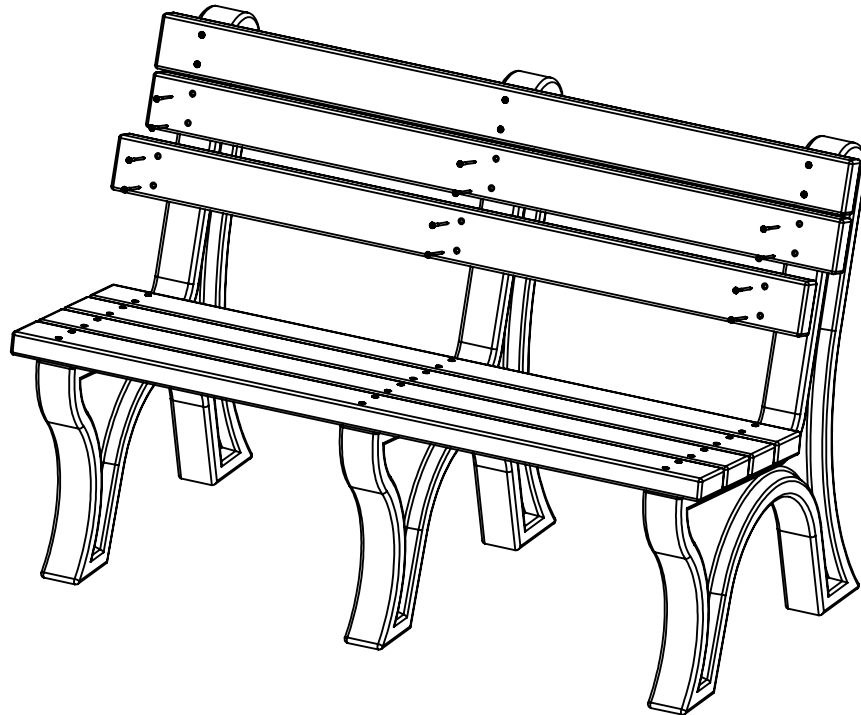


BENCH INSTRUCTIONS

STEP 3 Backrest Assembly

- Hold a plastic board (B) up to the back rest portion of the bench end (A)
- Align the predrilled holes in the bench end (A) with holes in the plastic board (B)
- Secure each plastic board to the bench end with #10 x 2.5" screws (C)
- Square all components and tighten all screws
- Level board and leave 1/4" spacing between boards and secure to bench ends

Note: If there are engraved boards, holes may be missing or not line up properly with bench ends

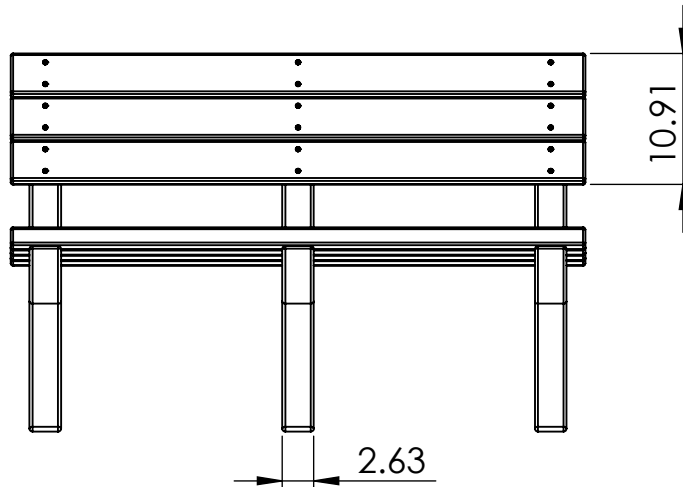
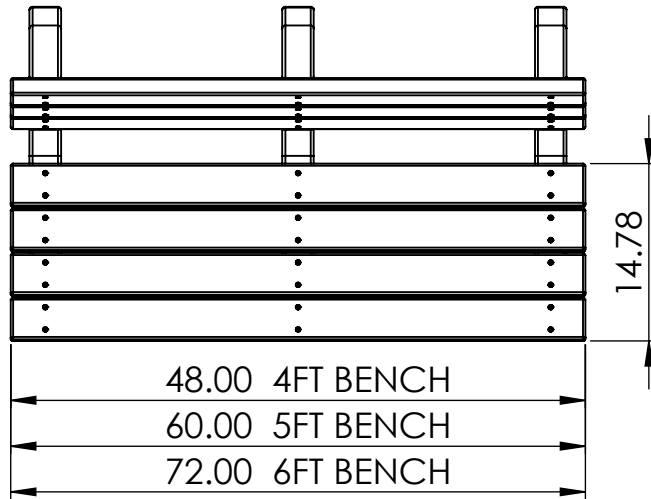


BENCH SPECIFICATIONS

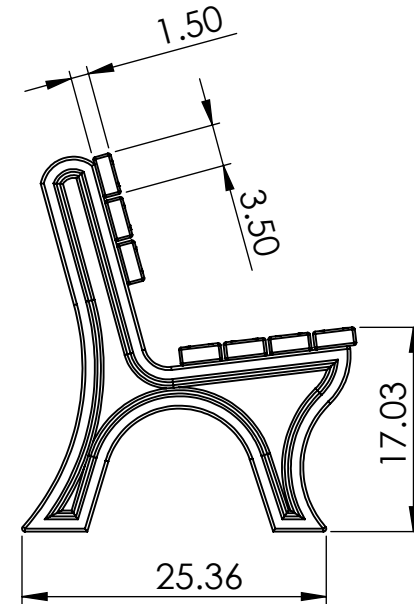
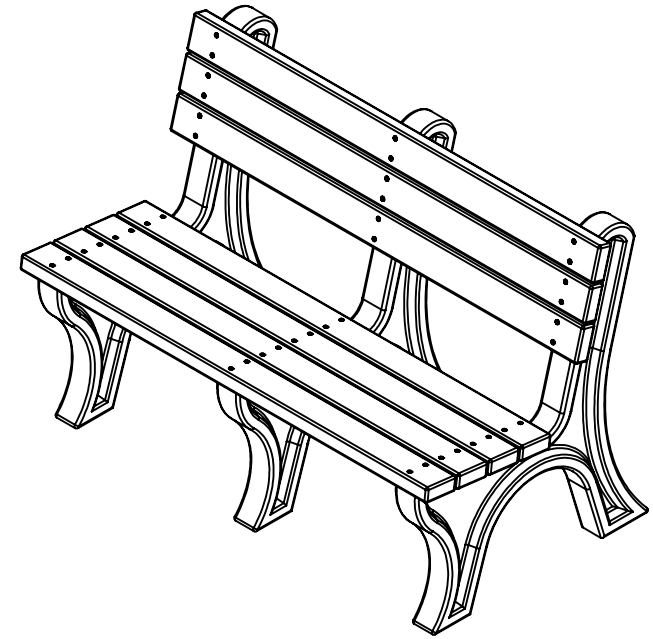
REV# 4
9/21/22

- KBC1115
- KBC1120
- KBC1125
- KBC1151
- KBC1152
- KBC1153
- KBC1155
- KBC1156
- KBC1157
- KBC1161
- KBC1162
- KBC1163

TOP



FRONT



SIDE

CONSTRUCTION MATERIALS:
Recycled Plastic
HARDWARE:
Stainless Steel

ALL DIMENSIONS SHOWN IN INCHES