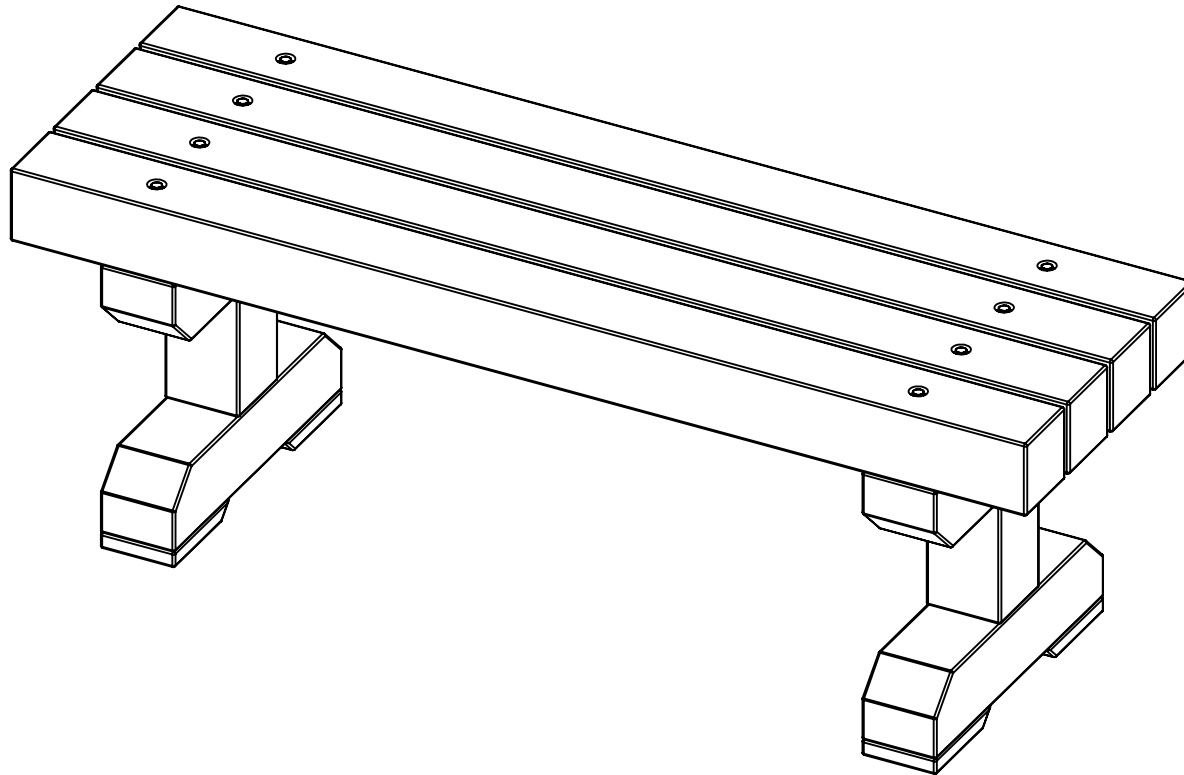
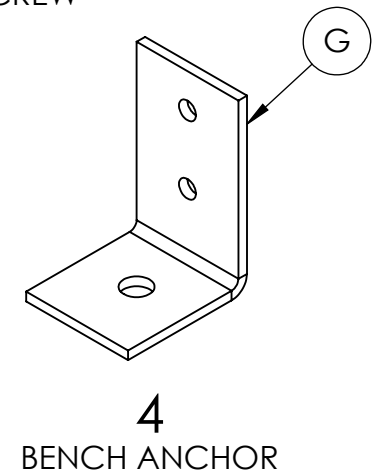
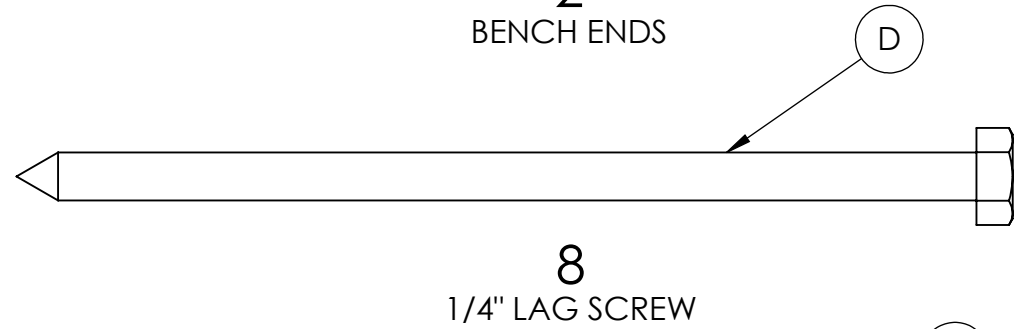
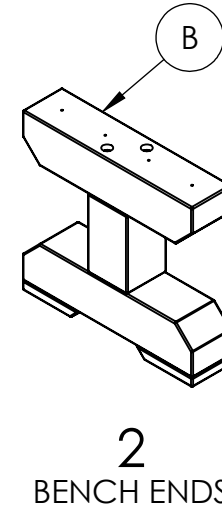
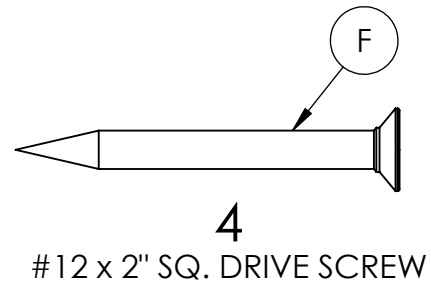
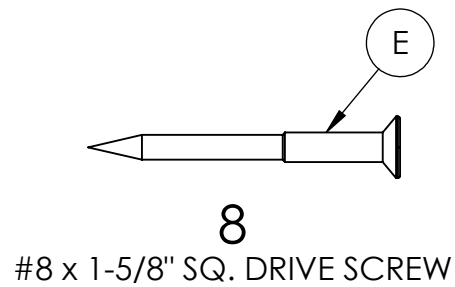
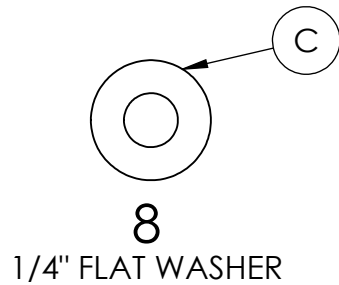
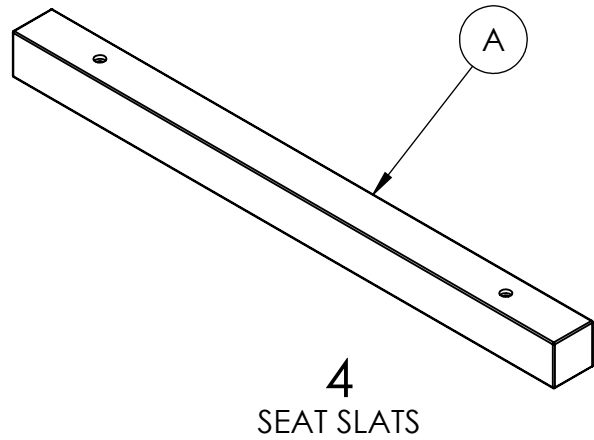


# 4FT BENCH INSTRUCTIONS

BC1235 REV 2  
9/27/2016



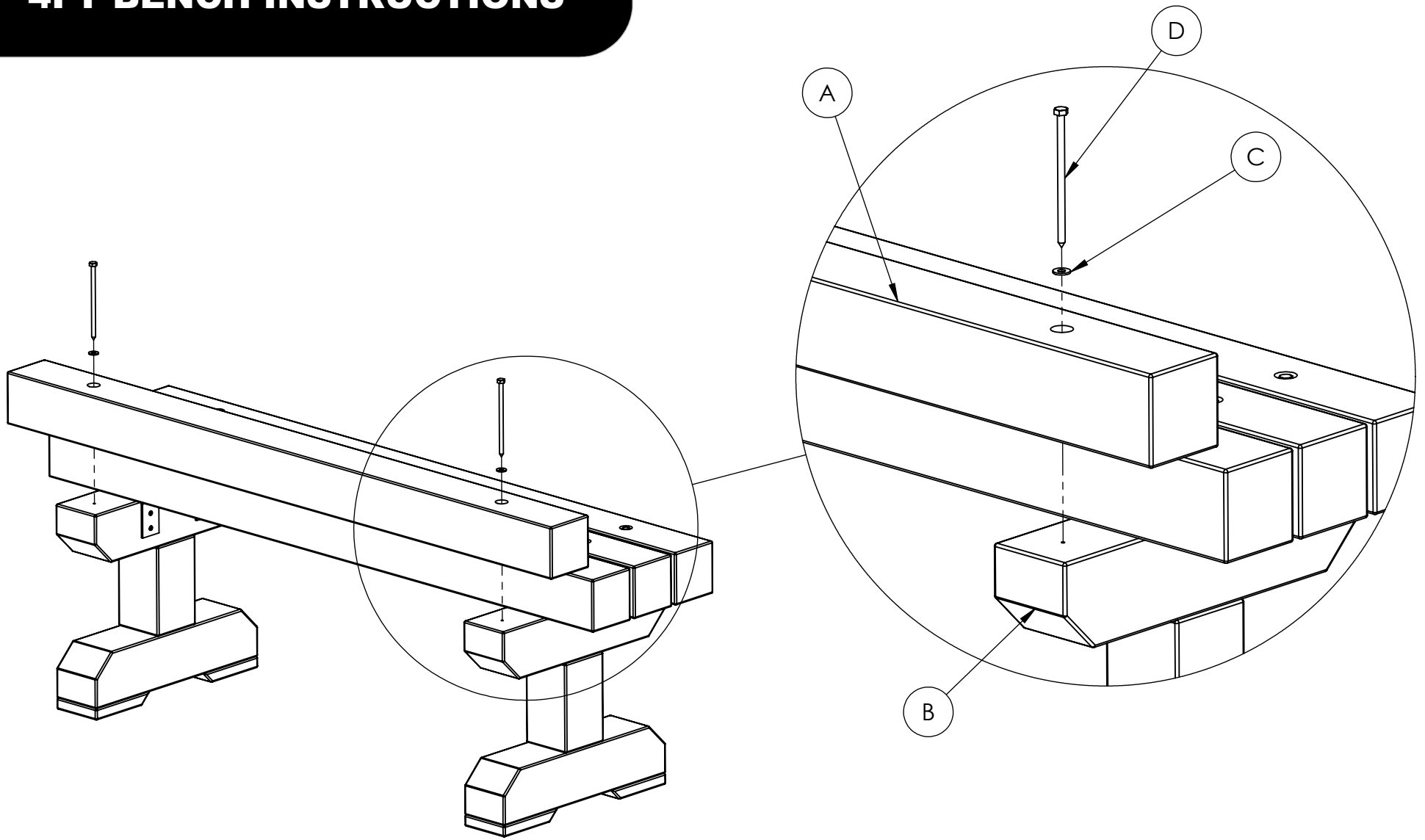
# 4FT BENCH INSTRUCTIONS



**REQUIRED TOOLS:**  
-(1) 7/16" SOCKET  
-(1) #2 SQUARE DRIVE

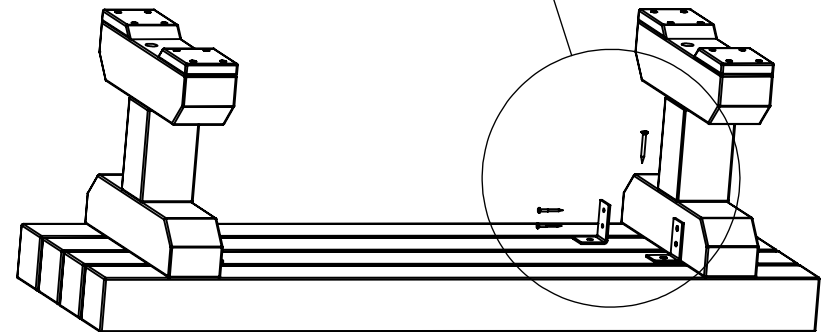
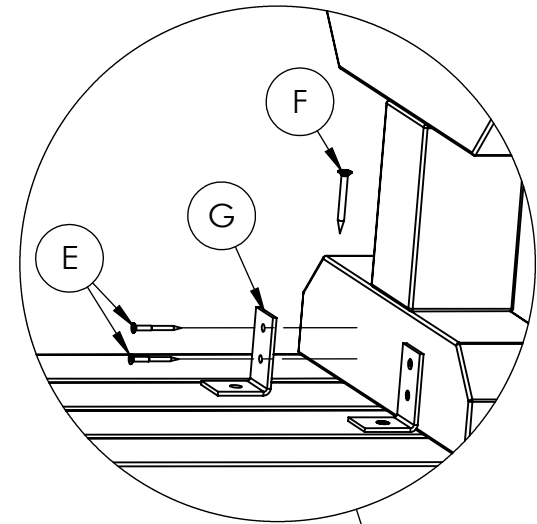
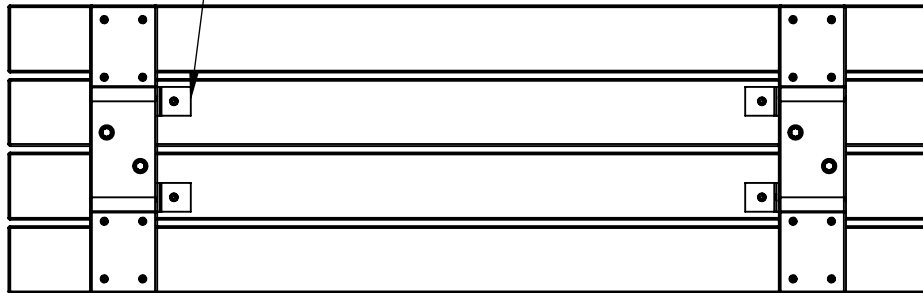
**INCLUDED HARDWARE &  
REQUIRED TOOLS FOR  
ASSEMBLY**

# 4FT BENCH INSTRUCTIONS



# 4FT BENCH INSTRUCTIONS

Place the bench upside down on a soft surface.  
Locate Bench Anchors (G) off-center at each end of both center Seat Slats (A) to avoid hitting the Lag Screws (D).



# 4FT BENCH SPECIFICATIONS

