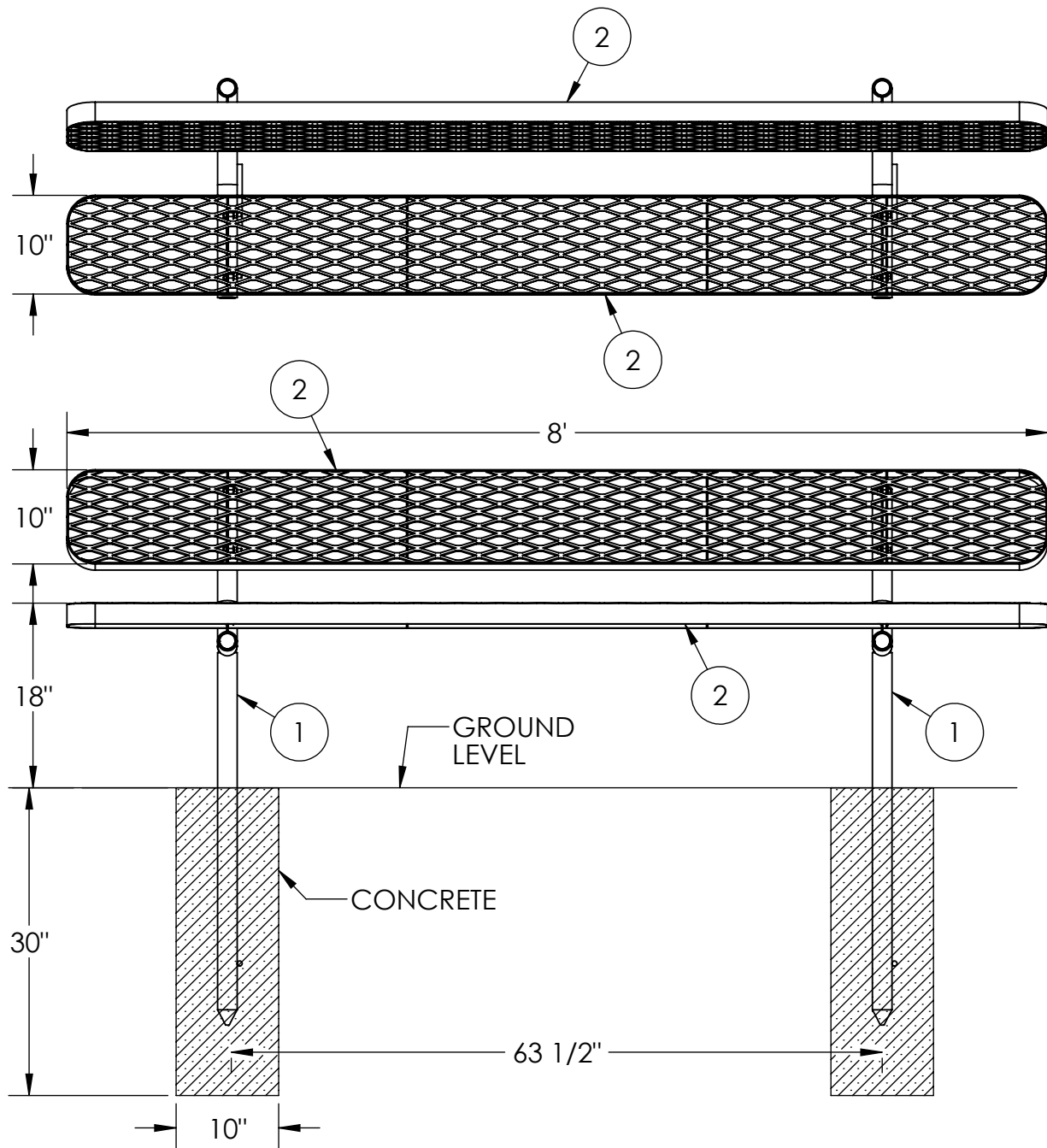
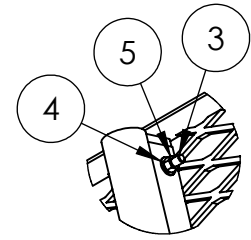
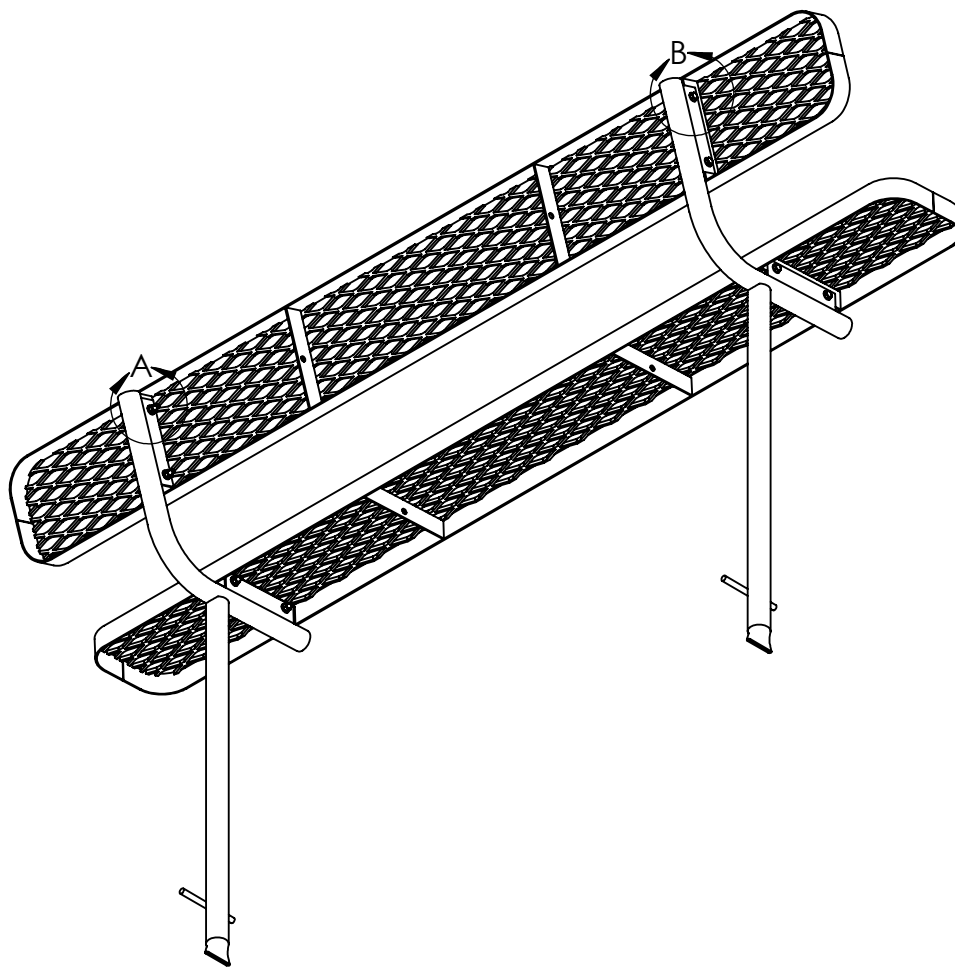
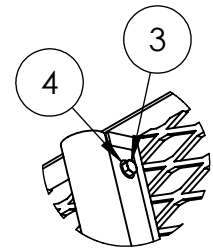


TOTAL COAT BENCH 8' WITH BACK, IN-GROUND MOUNT

PR934-502



	ITEM NO.	DESCRIPTION	QTY.
	1	Bench With Back Stand DB	2
	2	8' Seat/Back (QS)	2
	3	3/8"x1-1/2" SS Hex Bolt	8
	4	3/8" SS Flat Washer	16
	5	3/8" SS Nylock Nut	8

DETAIL A
SCALE 1 : 8DETAIL B
SCALE 1 : 8

1. Drill plastic out of the mounting holes on the legs, seat and back using a 7/16" diameter drill bit.
2. Bolt the seat and back to the legs and tighten up.
3. Mark out the holes for the legs on the ground in the desired location. Drill 10" diameter holes at each location to a minimum depth of 30". You need to be below the frost line in your area.
4. Place the seat into the holes and support at the desired height. Level the seat.
5. Fill the holes with concrete and crown the top so that water will run off. Let stand for 24 hours before removing the supports.

Tools List

- 7/16" Drill bit
- 9/16" Socket
- 9/16" Wrench
- Level
- Impact Gun (Optional)
- Drill

Periodic check of bolts tightness recommended