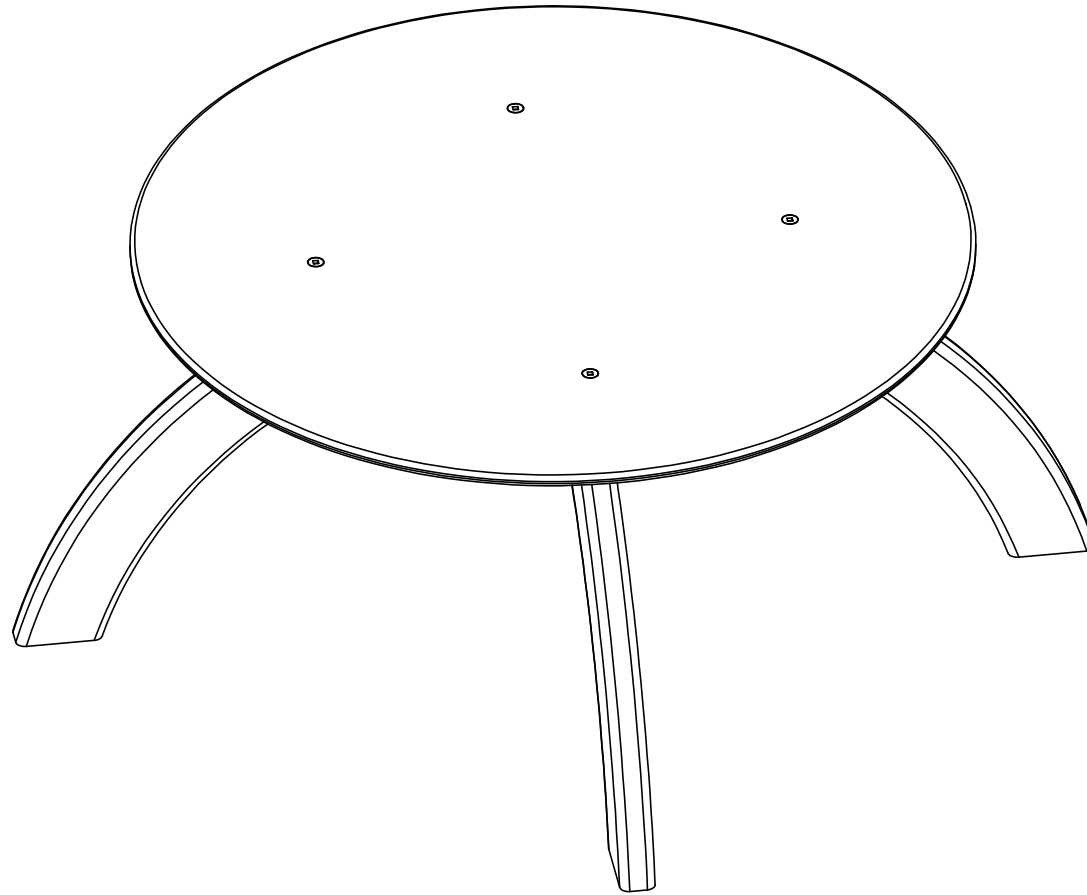
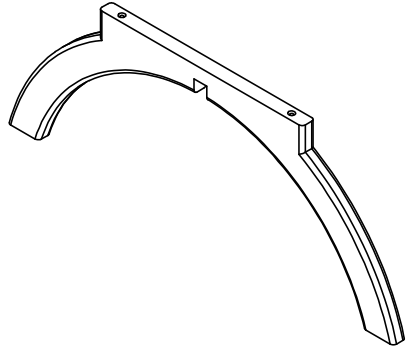


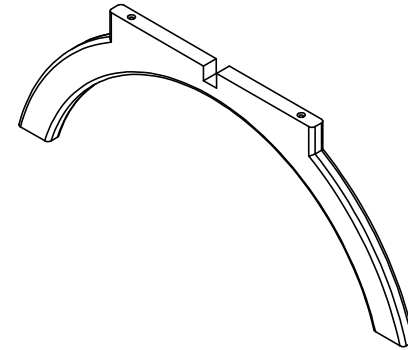
# OPTIONAL RAIN BONNET ASSEMBLY INSTRUCTIONS



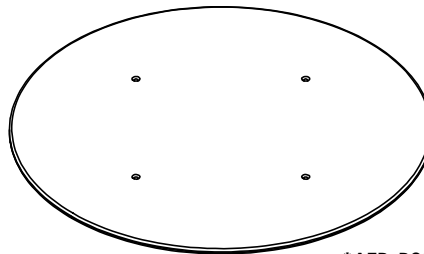
# OPTIONAL RAIN BONNET ASSEMBLY INSTRUCTIONS



RAIN BONNET FRAME 1  
ATR-P0184  
X1



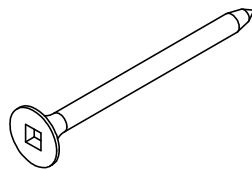
RAIN BONNET FRAME 2  
ATR-P0183  
X1



\*ATR-P0031 SHOWN

RAIN BONNET LID  
ATR-P0185(SQUARE)  
ATR-P0031(ROUND)  
X1

## OPTIONAL RAIN BONNET ASSEMBLY INSTRUCTIONS



#8 X 1.625 DECK SCREW  
DSSF008C162188  
X8

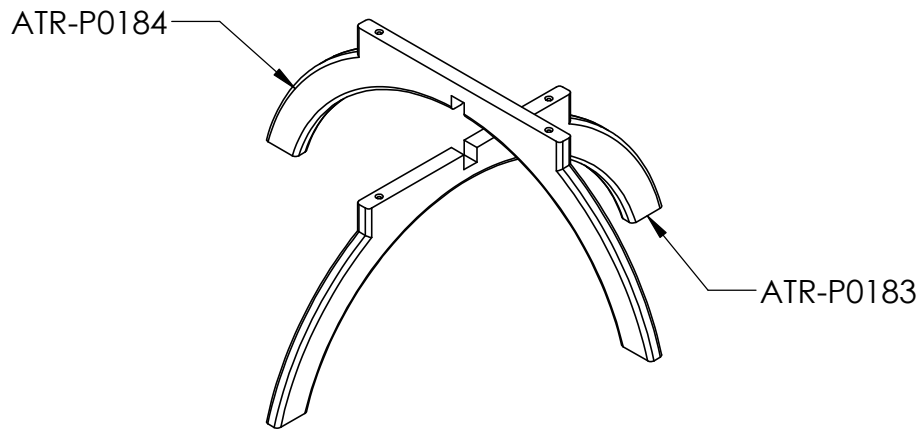
**REQUIRED TOOLS:**  
1- #2 SQUARE DRIVE BIT  
1- SCREW GUN  
1- TAPE MEASURE\*  
1- MARKER\*  
1- #10 COUNTERSINK BIT\*  
\*REQUIRED ONLY IF ATTACHING RAIN  
BONNET TO PREVIOUSLY PURCHASED  
TRASH CONTAINER

**INCLUDED HARDWARE &  
REQUIRED TOOLS FOR  
ASSEMBLY**

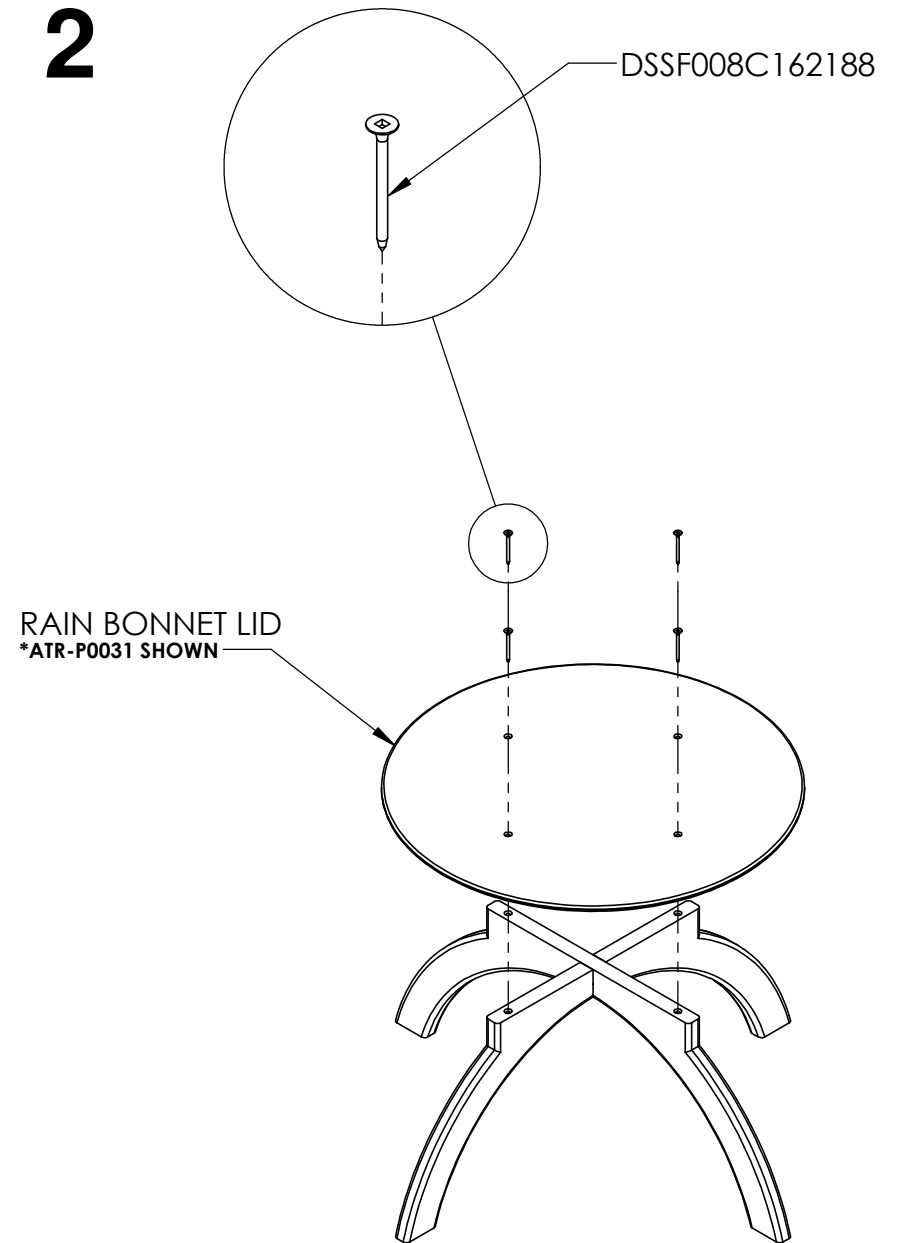
**2/6**

# OPTIONAL RAIN BONNET ASSEMBLY INSTRUCTIONS

1

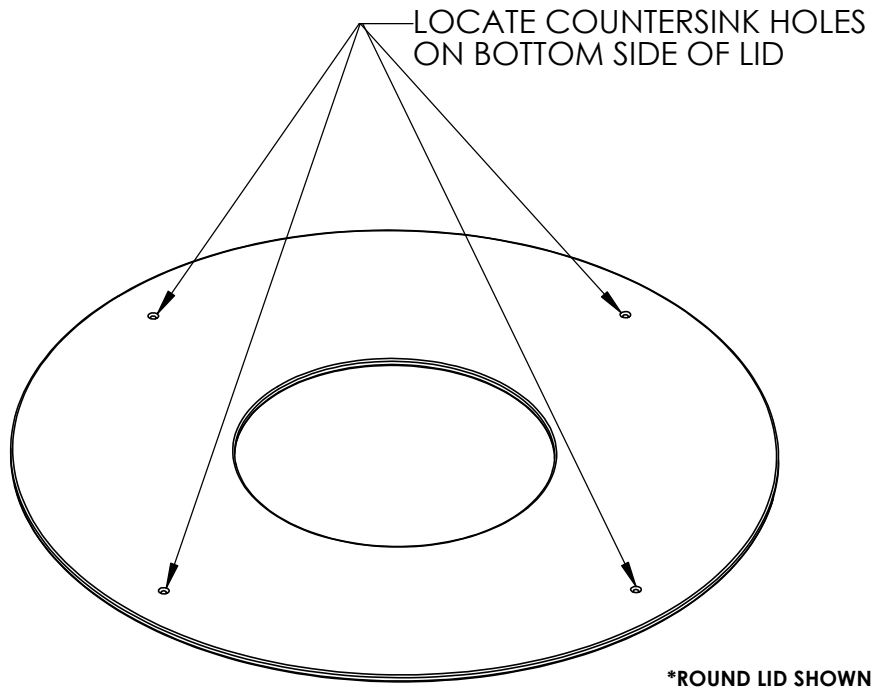


2



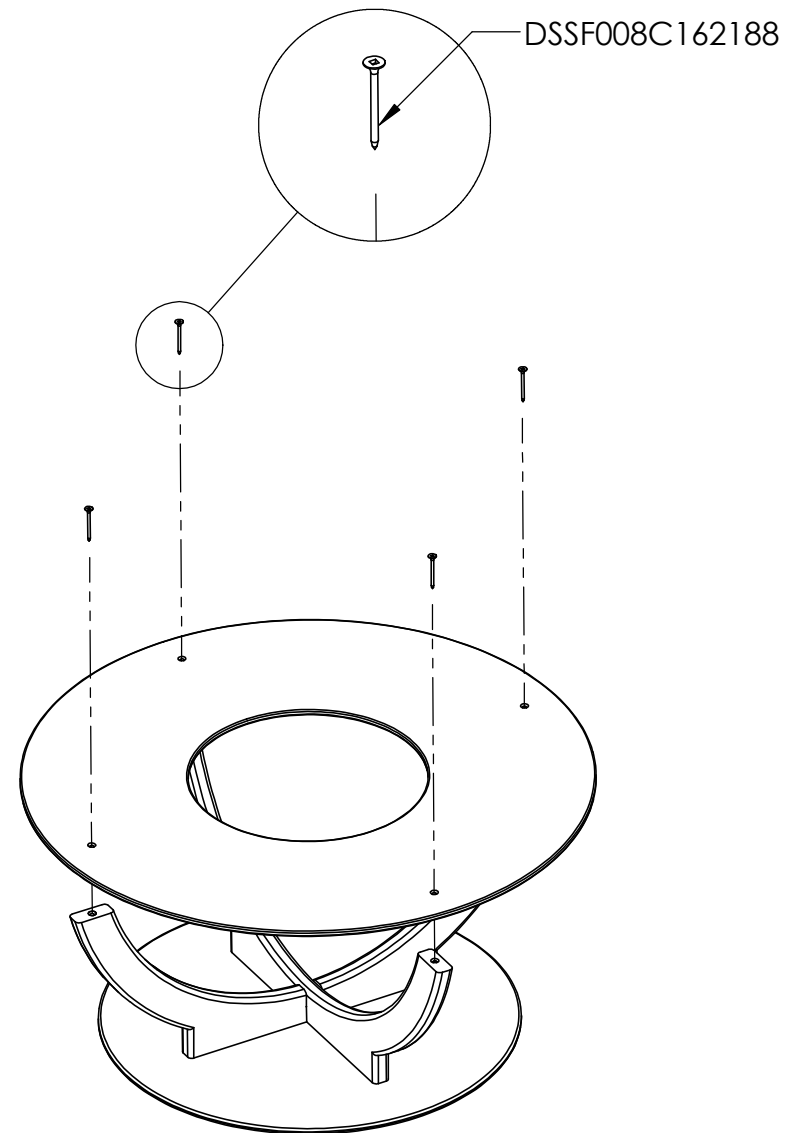
# OPTIONAL RAIN BONNET ASSEMBLY INSTRUCTIONS

3



NOTE: IF ATTACHING RAIN BONNET TO A PREVIOUSLY PURCHASED TRASH CONTAINER, PLEASE REFER TO NEXT PAGE FOR HOLE DRILLING INSTRUCTIONS.

4

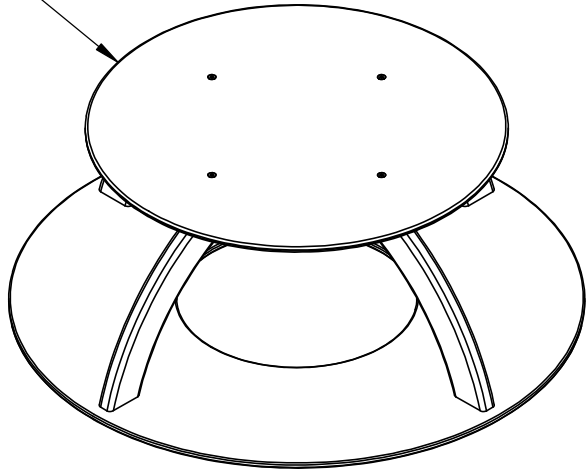


**ATTACH RAIN  
BONNET FRAME  
TO LID**

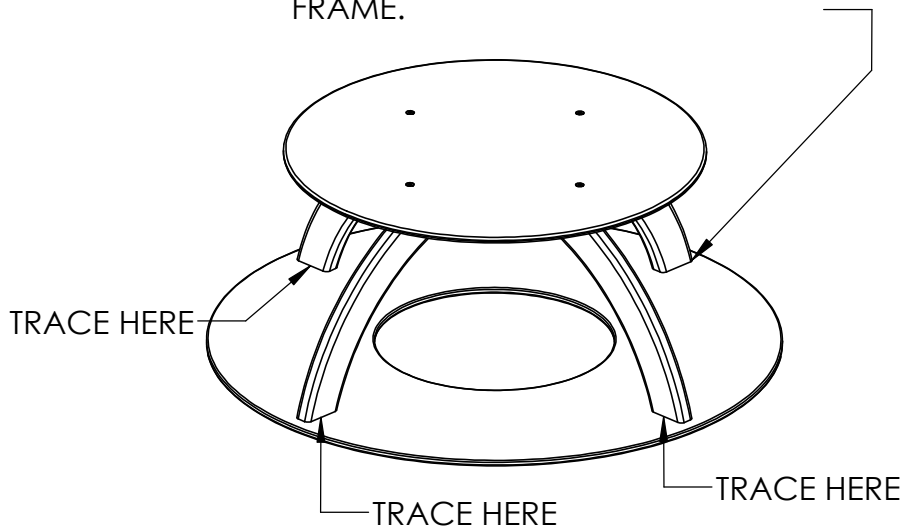
**4/6**

# OPTIONAL RAIN BONNET ASSEMBLY INSTRUCTIONS

**1** PLACE RAIN BONNET ON BOTTOM SIDE OF LID AND CENTER.



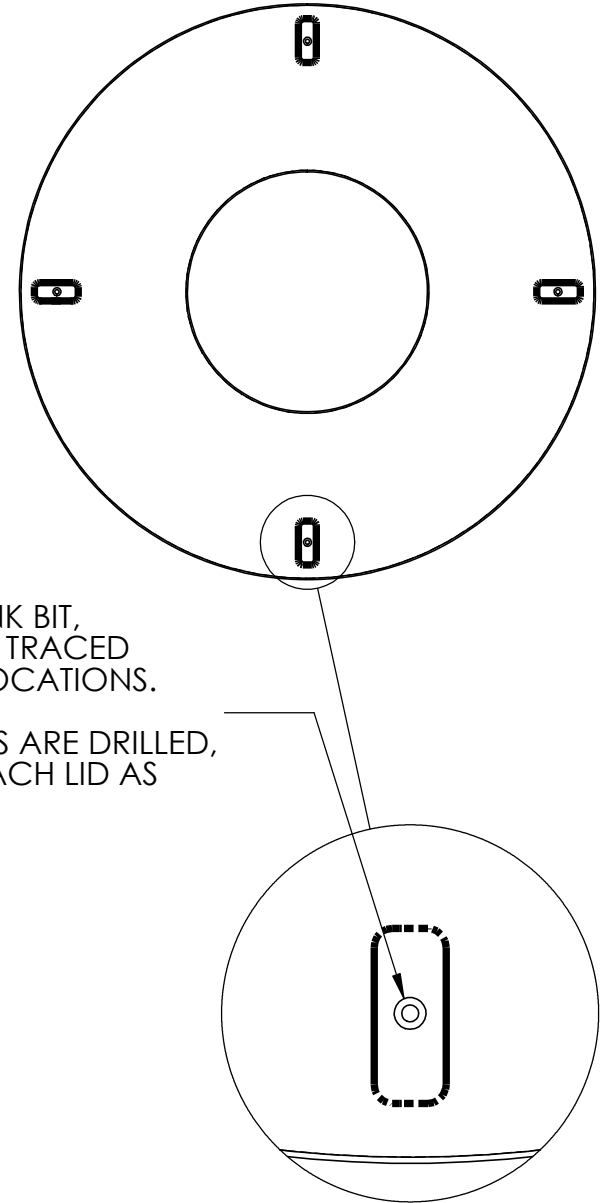
**2** USING A MARKER, TRACE AROUND THE BOTTOM OF RAIN BONNET FRAME.



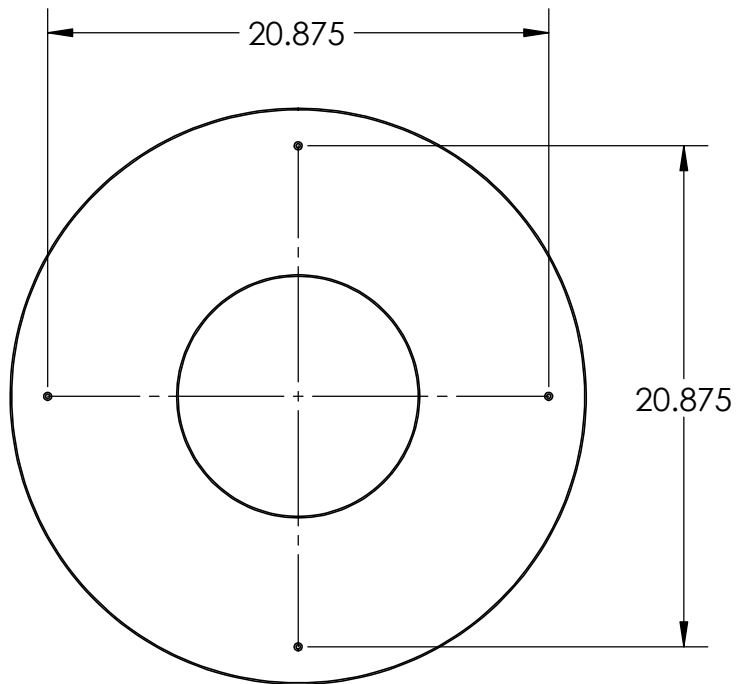
**3**

USING #10 COUNTERSINK BIT, DRILL IN THE CENTER OF TRACED RAIN BONNET FRAME LOCATIONS.

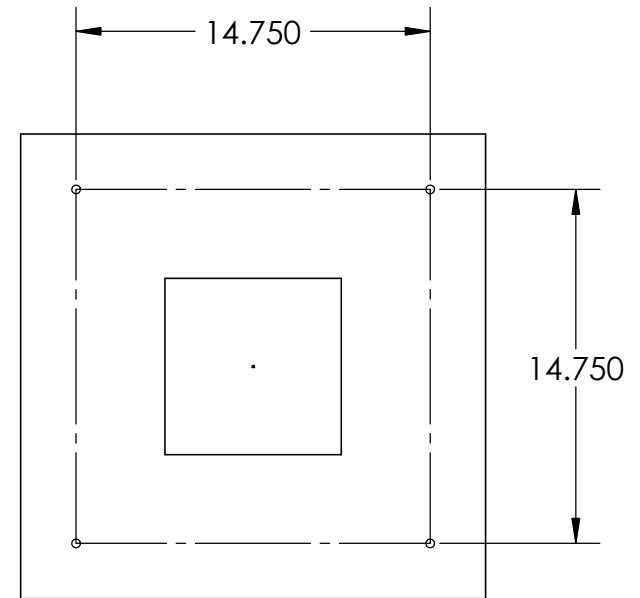
ONCE ALL 4 LOCATIONS ARE DRILLED, FLIP LID OVER AND ATTACH LID AS SHOWN ON PAGE 4.



# OPTIONAL RAIN BONNET ASSEMBLY INSTRUCTIONS



ROUND STYLE LID



SQUARE STYLE LID

DRILL HOLES USING #10 COUNTERSINK BIT.