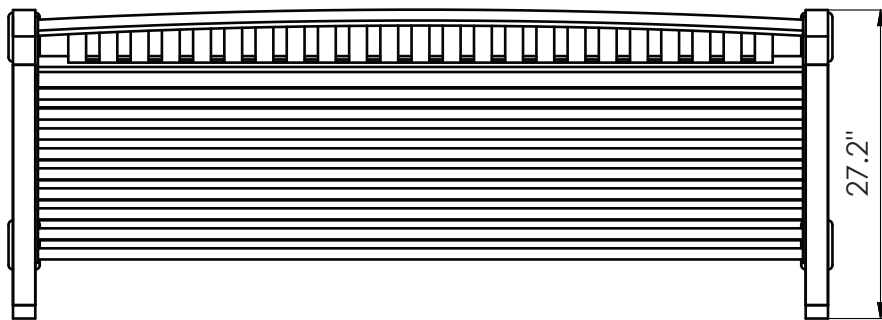
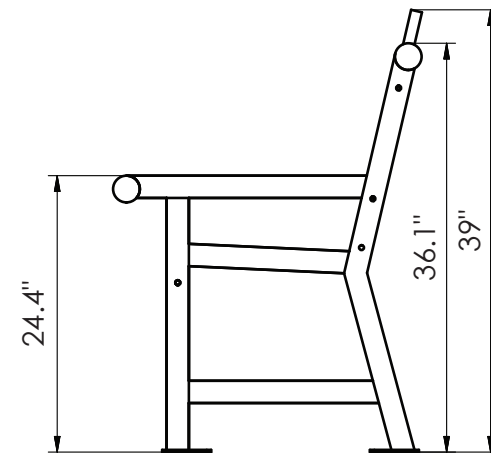
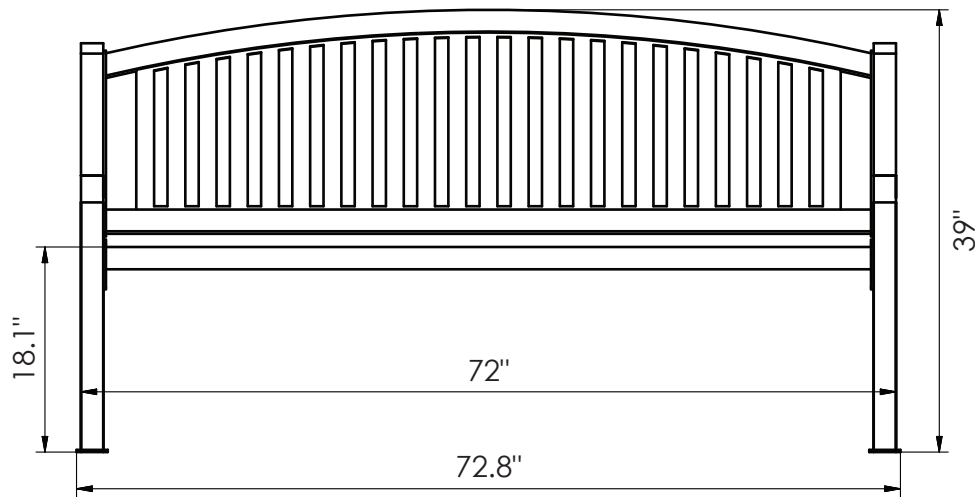


THERMOPLASTIC-COATED 6' STEEL BENCH



.....
TOTAL WEIGHT: 190 lbs
.....

- NOTES:**
- 1) Durable 2" square steel tubing
 - 2) Weather-resistant thermoplastic coating
 - 3) Pre-drilled for surface mount