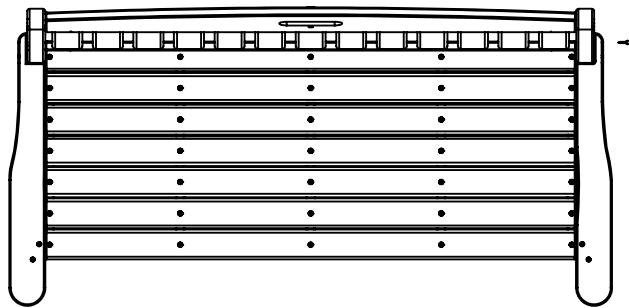


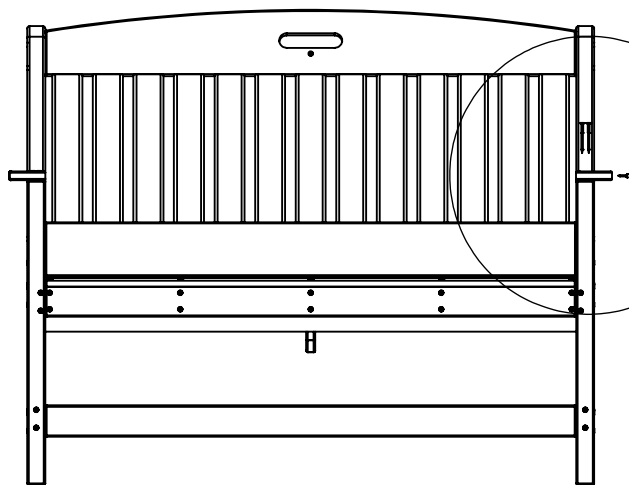
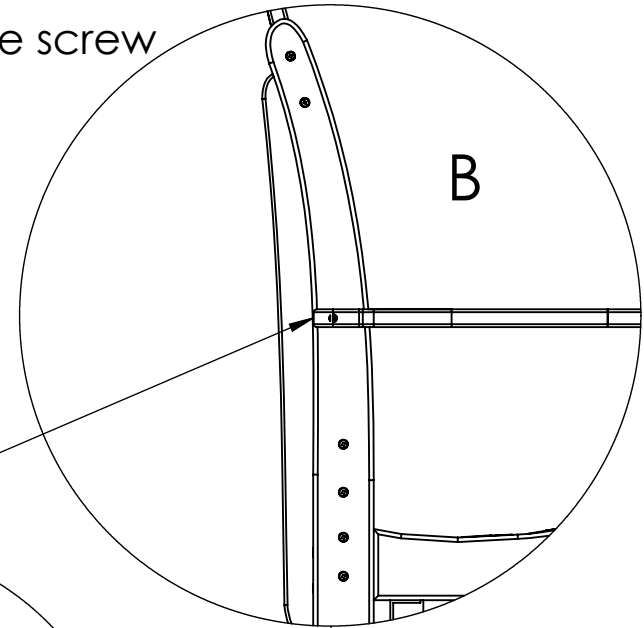
ARM INSTALLATION

BC1370/80/85

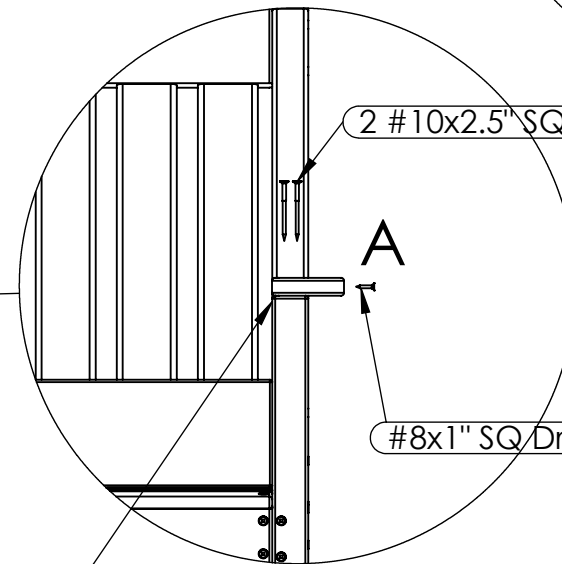
- Line up the arm with the inside edge of the front leg (Figure A) and the back of the bench (Figure B)
- Fasten the two screws to the front leg first, then the side screw



Line up back of arm with back of bench



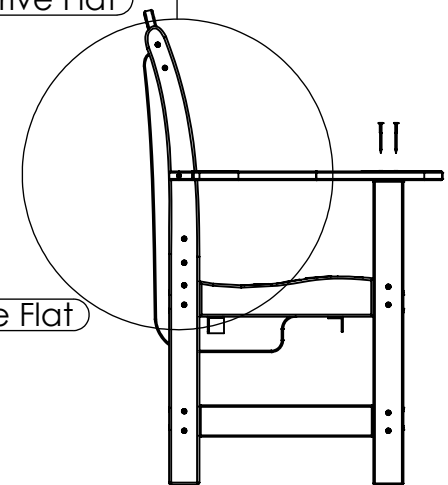
Line up side of arm with inside edge of front leg



2 #10x2.5" SQ Drive Flat

A

#8x1" SQ Drive Flat



II