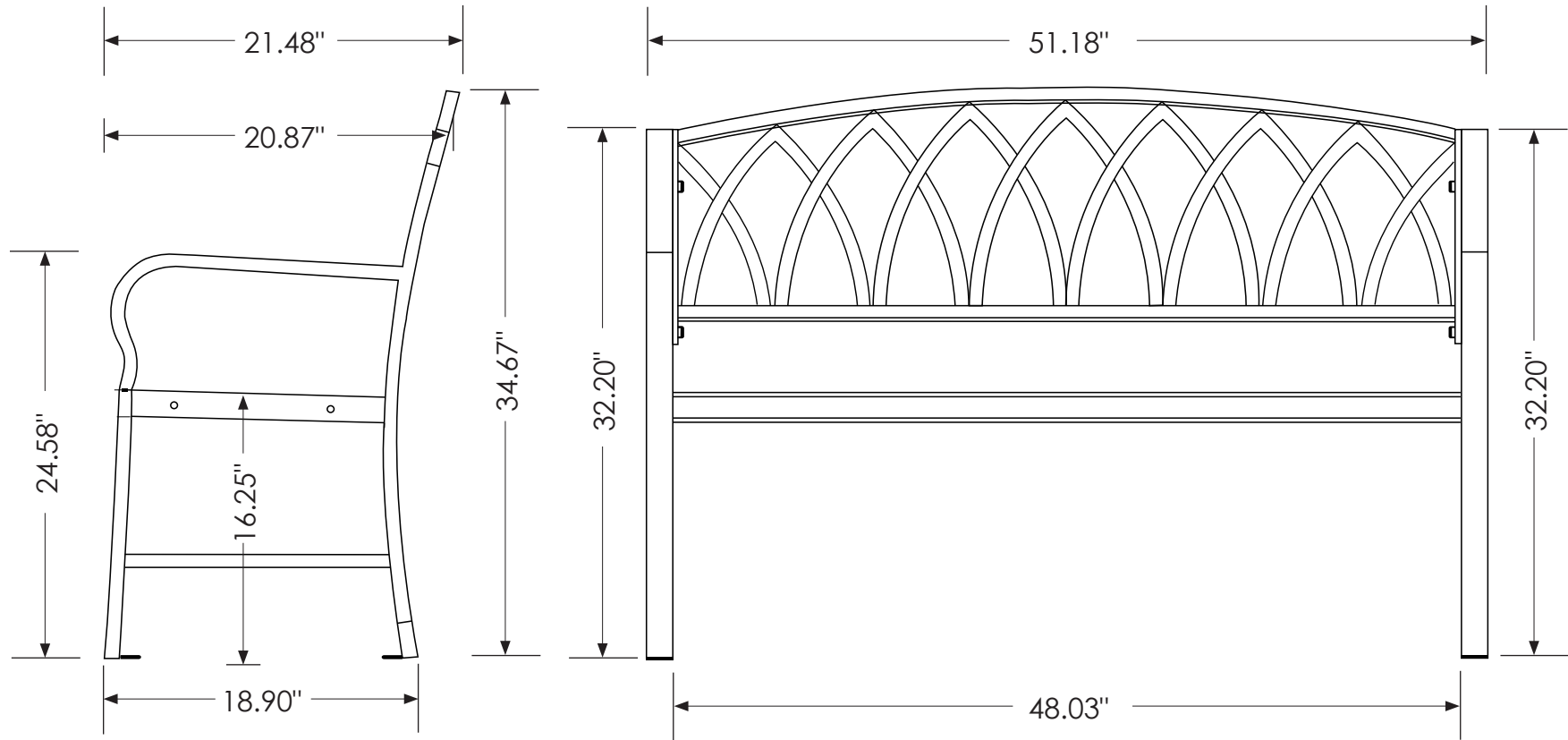


# 4 FT. ARCH BACK BENCH SPECIFICATIONS



TOTAL WEIGHT: 37 lbs

**NOTES:**

- 1) Material: Extruded steel tubes
- 2) Coating: Powder-coated
- 3) Black zinc-plated assembly hardware included
- 4) Surface mount hardware not included

