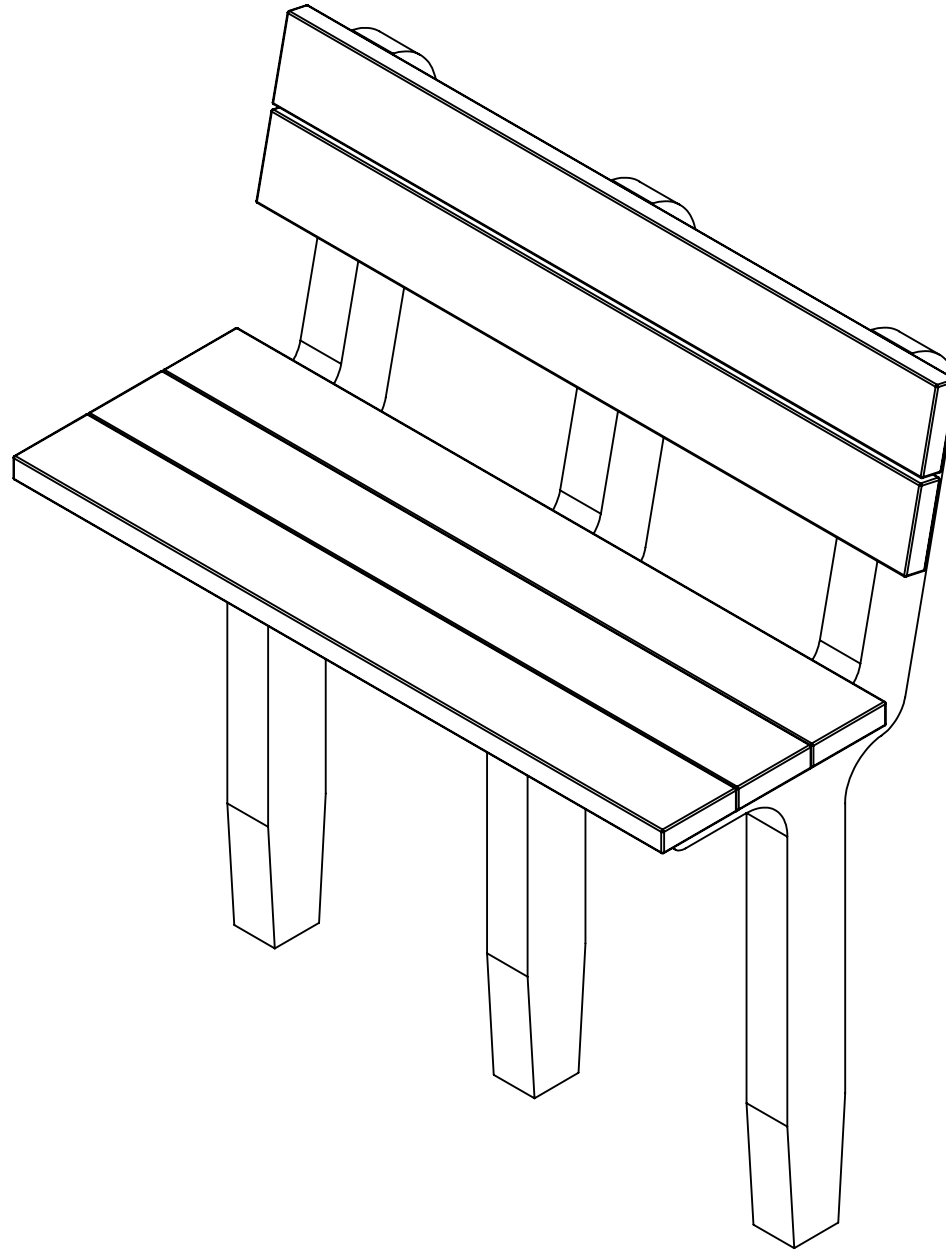


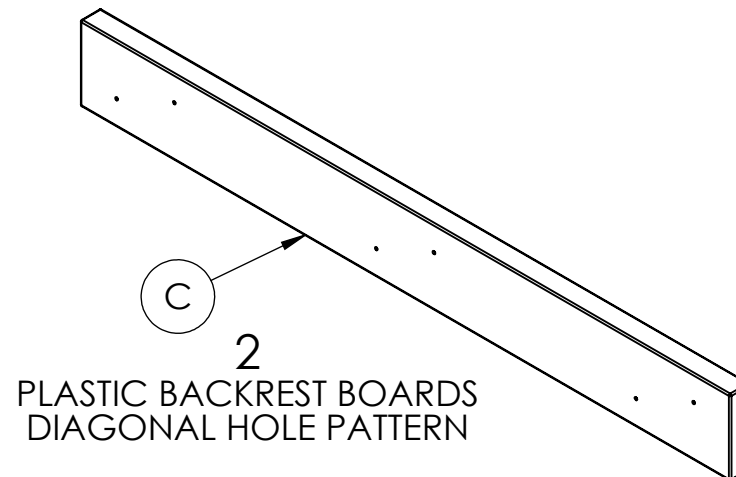
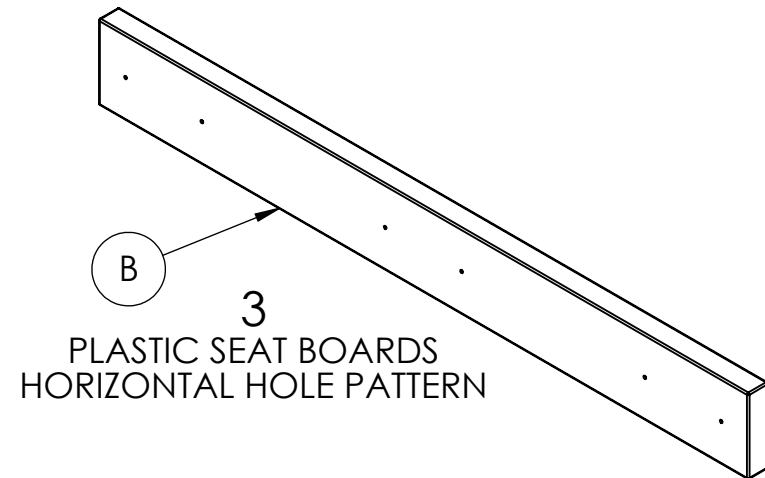
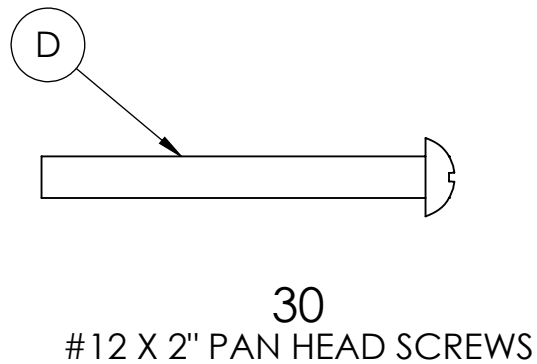
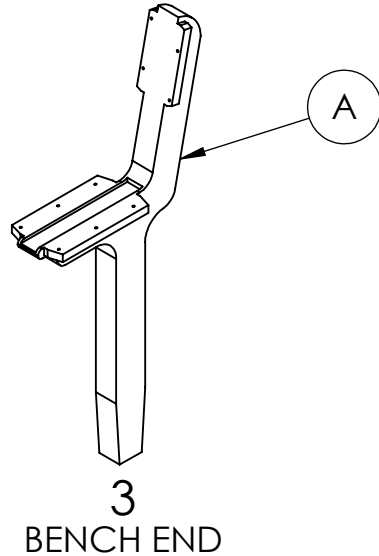
# BENCH INSTRUCTIONS

BC1405  
BC1408  
BC1409

REV# 1  
2/14/2017



# BENCH INSTRUCTIONS



## REQUIRED TOOLS (NOT INCLUDED)

- POWER DRILL
- #2 PHILLIPS BIT
- LEVEL
- SAKCRETE
- GUIDE WIRE / BRACING

**NOTE: IT IS IMPORTANT TO KEEP ALL SCREWS LOOSE DURING ASSEMBLY UNTIL ENTIRE BENCH IS ASSEMBLED**

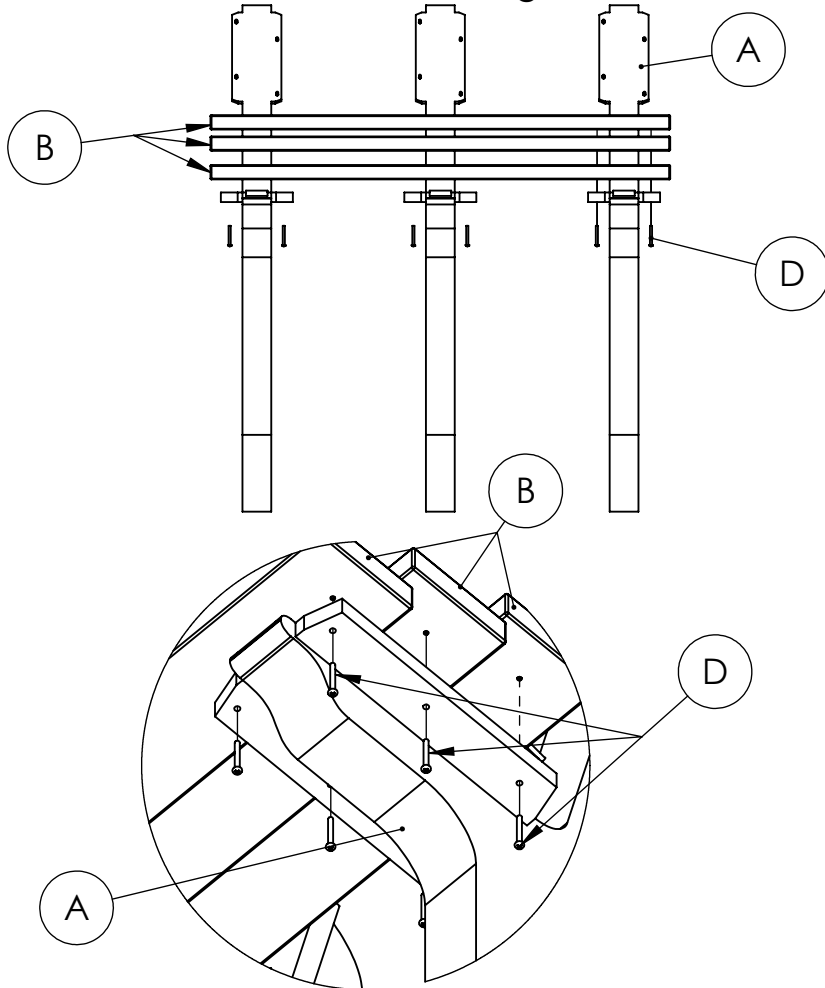
**HARDWARE &  
TOOLS REQUIRED  
FOR ASSEMBLY**

**2/6**

# BENCH INSTRUCTIONS

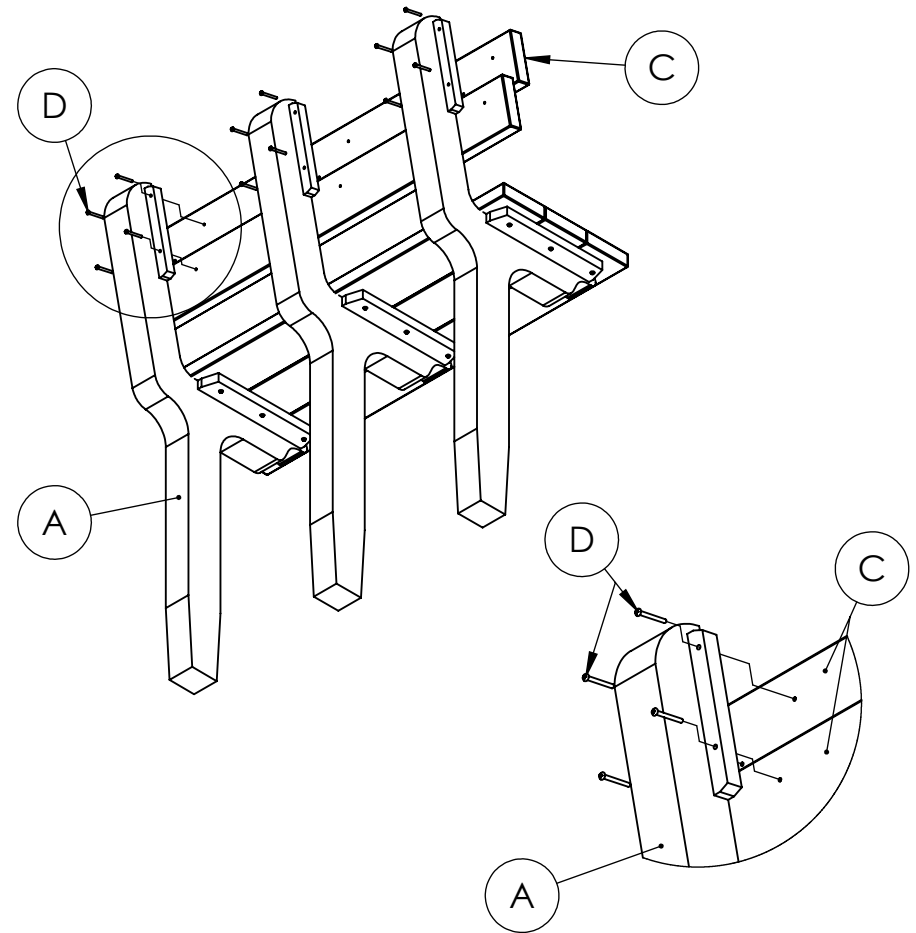
## STEP 1 Seat Assembly

- Lay Bench Ends (A) flat on the ground with the front seat edge pointing up
- Lay a Plastic Seat Board (B) over the bench ends (A) closest to front edge
- Align the holes in the Plastic Seat Board (B) with the predrilled holes in the Bench Ends (A)
- Secure the board with the #12 x 2 screws (D)
- Repeat for each plastic board starting at the front seat board and working toward the back



## STEP 2 Backrest Assembly

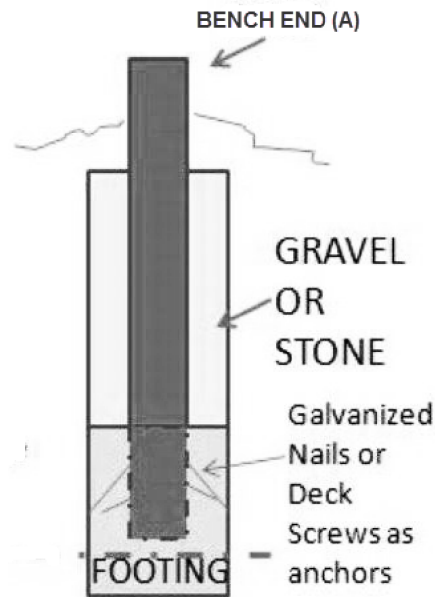
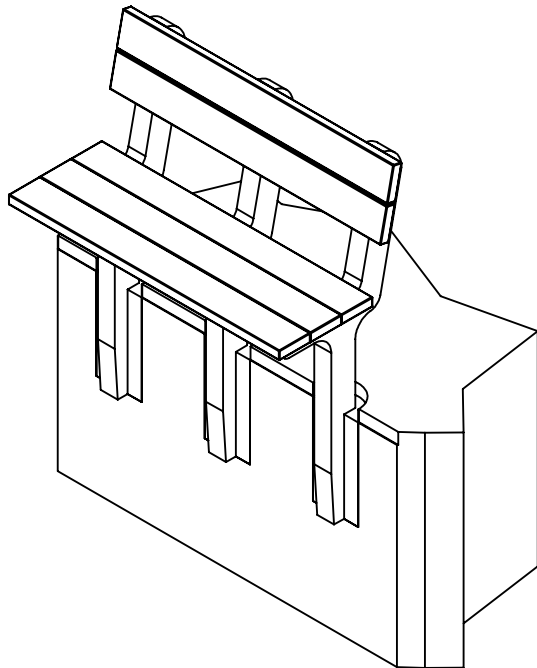
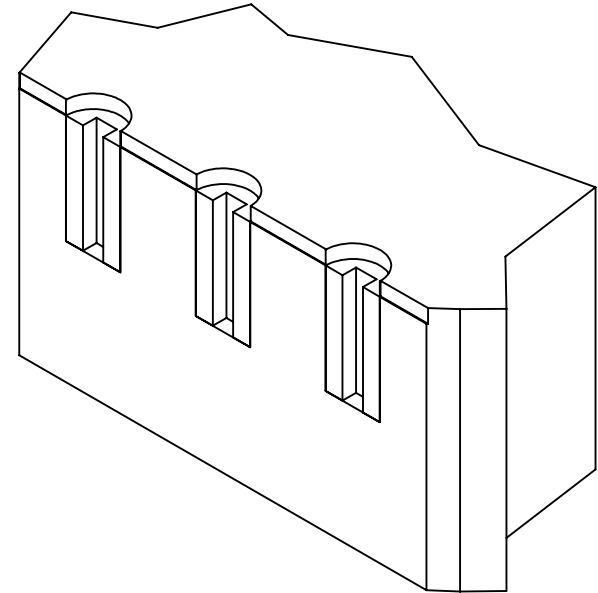
- Turn bench over so the backrest is accessible
- Hold a Plastic Backrest Board (C) up to the back rest portion of the Bench End (A)
- Align the predrilled holes in the Bench End (A) with holes in the Plastic Backrest Board (C)
- Secure each Plastic Backrest Board (C) to the Bench End (A) with #12 x 2 screws (D)
- Square all components and tighten all screws



# BENCH INSTRUCTIONS

## STEP #3 INGROUND MOUNT

- A. Lay Bench Flat on the ground where it will be installed
- B. it will be installed
- C. Dig three holes, approximately 8" in diameter to a depth of 18"



BENCH END (A) IN POURED CONCRETE FOOTING

## STEP #4 INGROUND MOUNT

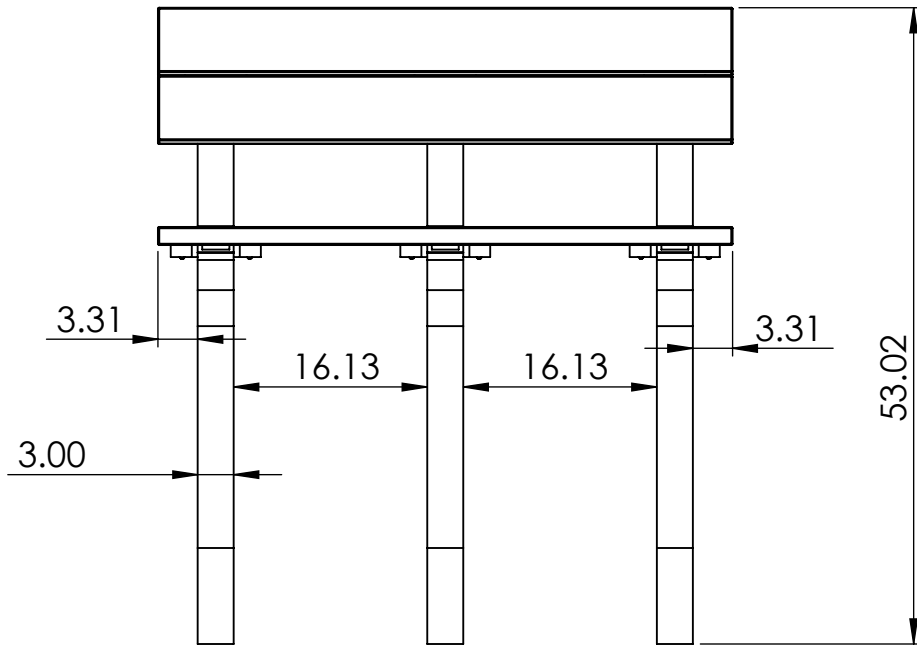
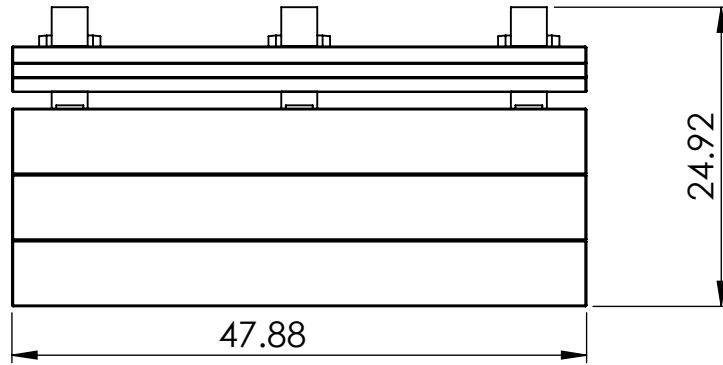
- A. Place Bench Ends (A) into holes
- B. Fill with Sakcrete to a level about 4" - 6" below ground level
- C. Use guide wire to secure until Sakcrete is dry
- D. Use a level to make sure Bench is square and level

# BENCH SPECIFICATIONS

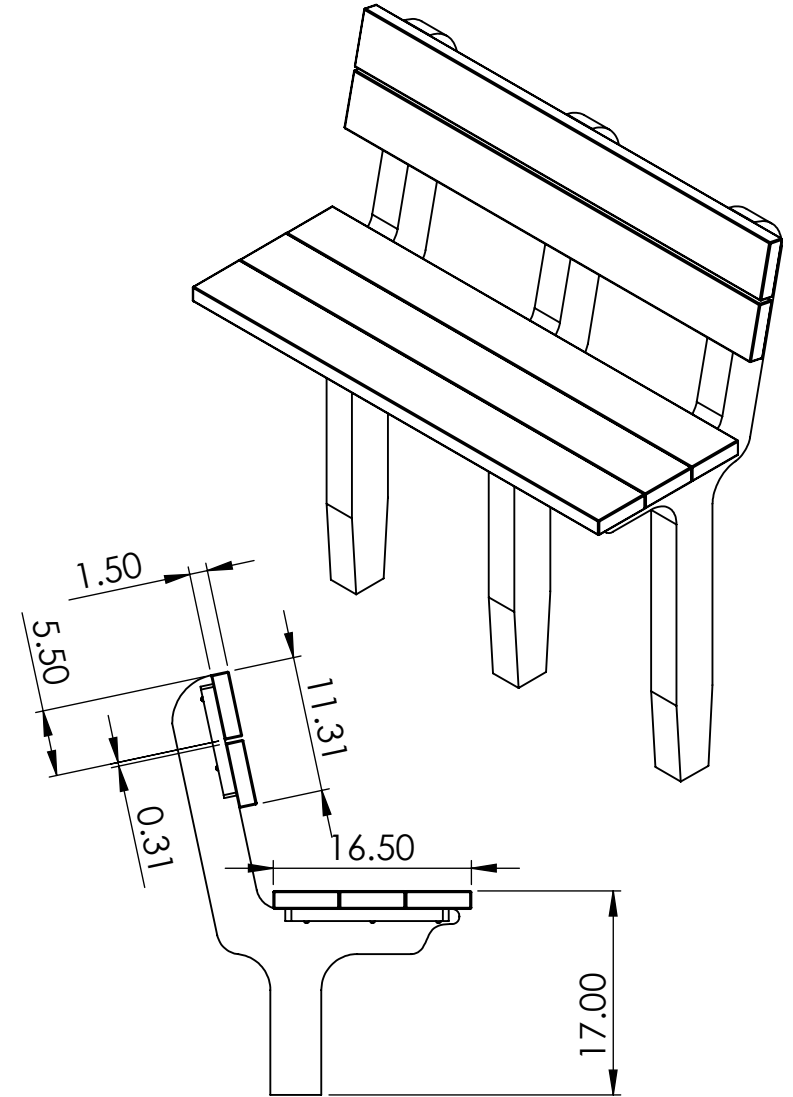
REV# 1  
2/14/2017

BC1405  
BC1408  
BC1409

**TOP**



**FRONT**



**SIDE**

**CONSTRUCTION MATERIALS:**  
Recycled Plastic  
**HARDWARE:**  
Stainless Steel

ALL DIMENSIONS ARE SHOWN IN INCHES