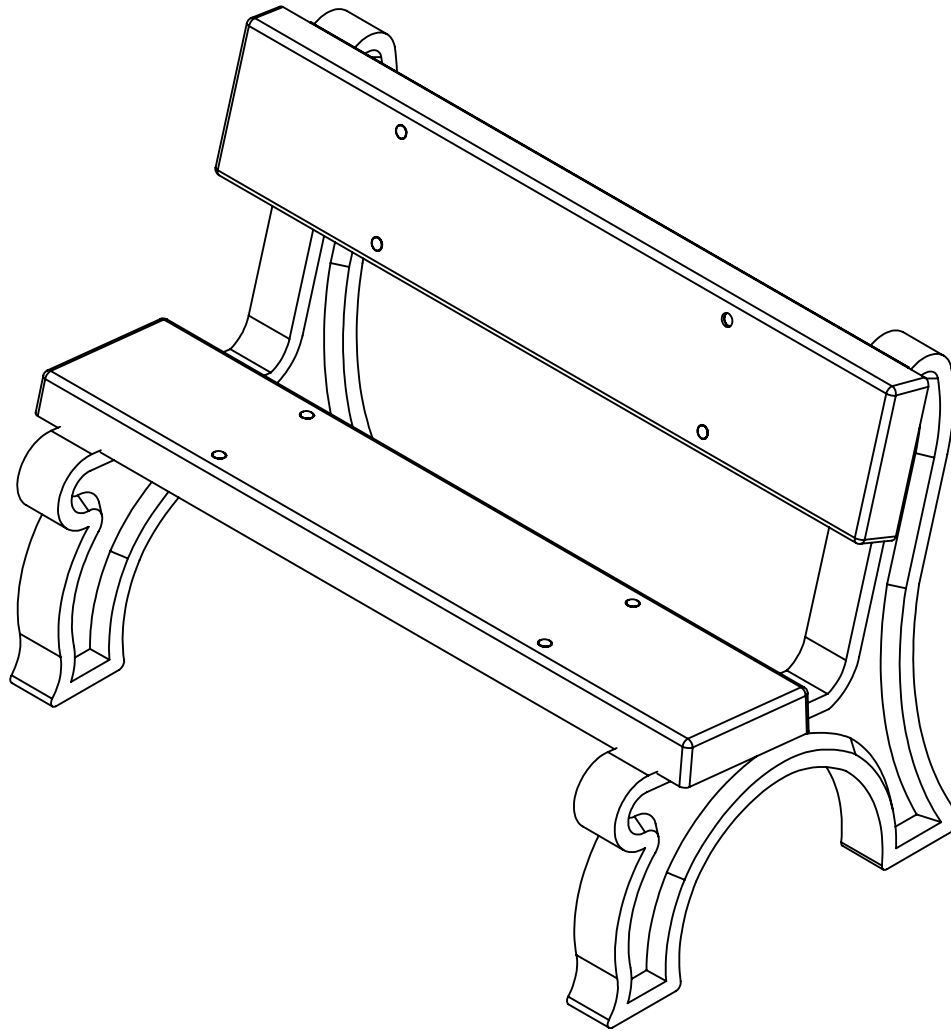


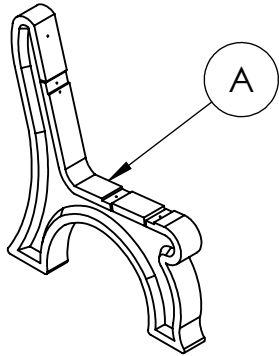
**BENCH INSTRUCTIONS**  
**BC1620**

REV# 2 7-15-2016

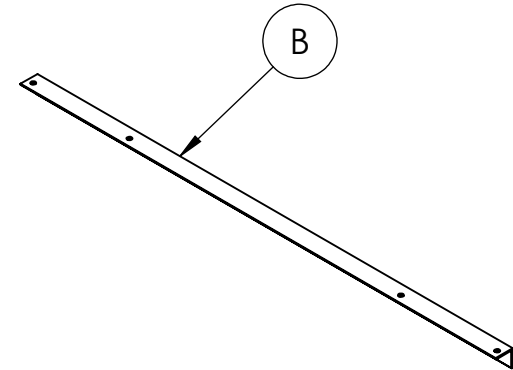


# BENCH INSTRUCTIONS

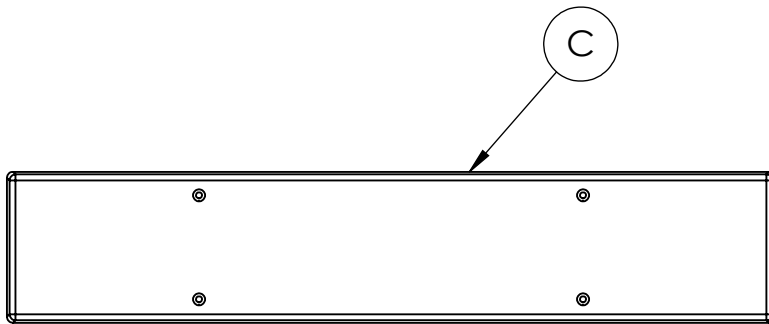
## BC1620



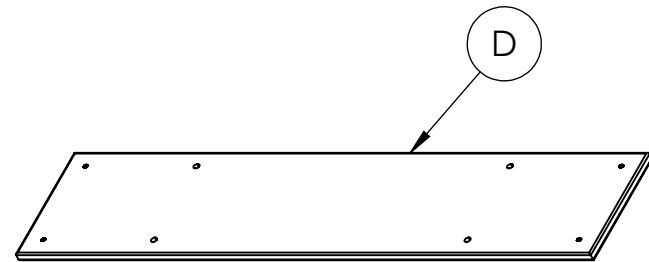
2  
Plastic bench ends



3  
Support brace



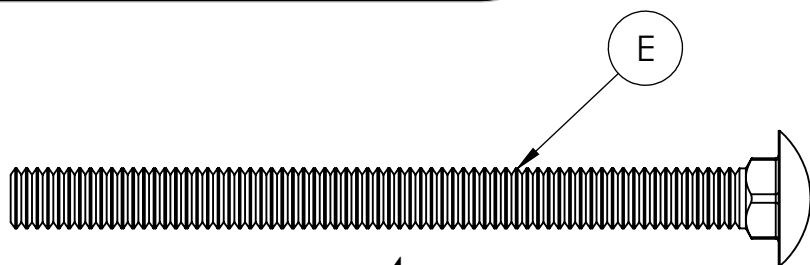
2  
Plastic boards



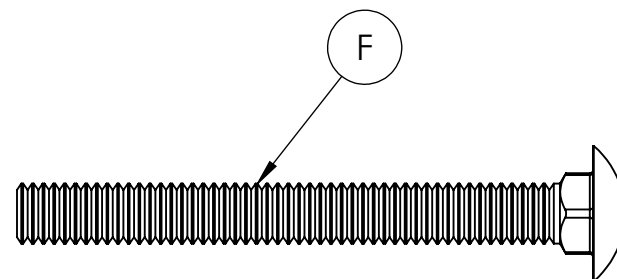
1  
Mounting plate

# BENCH INSTRUCTIONS

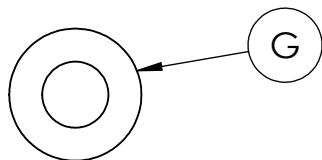
## BC1620



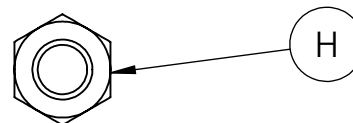
4  
4" x 5/16" Carriage bolt



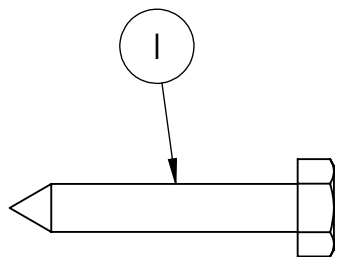
4  
3" x 5/16" Carriage bolt



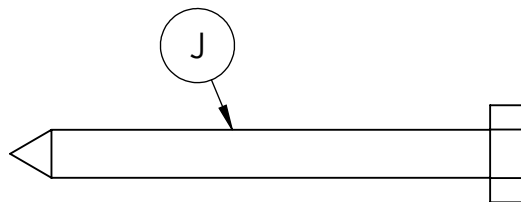
8  
5/16" Washer



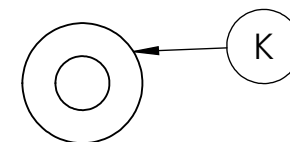
8  
5/16" Hex Nut



4  
1-1/2" x 1/4" Lag screw



4  
2-1/2" x 1/4" Lag screw



8  
1/4" Washer

### REQUIRED TOOLS (NOT INCLUDED)

- 1 - 1/2" SOCKET
- 1 - 7/16" SOCKET
- 1 - POWER DRILL

**NOTE: IT IS IMPORTANT TO KEEP ALL BOLTS FINGER TIGHT DURING ASSEMBLY UNTIL ENTIRE UNIT IS ASSEMBLED**

**HARDWARE &  
TOOLS REQUIRED  
FOR ASSEMBLY**

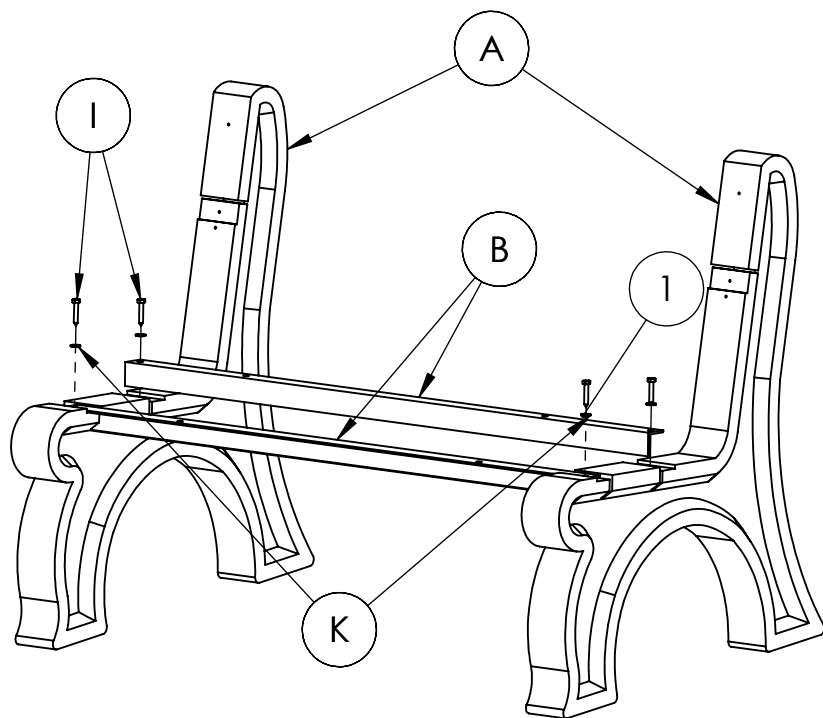
**3/6**

# BENCH INSTRUCTIONS

## BC1620

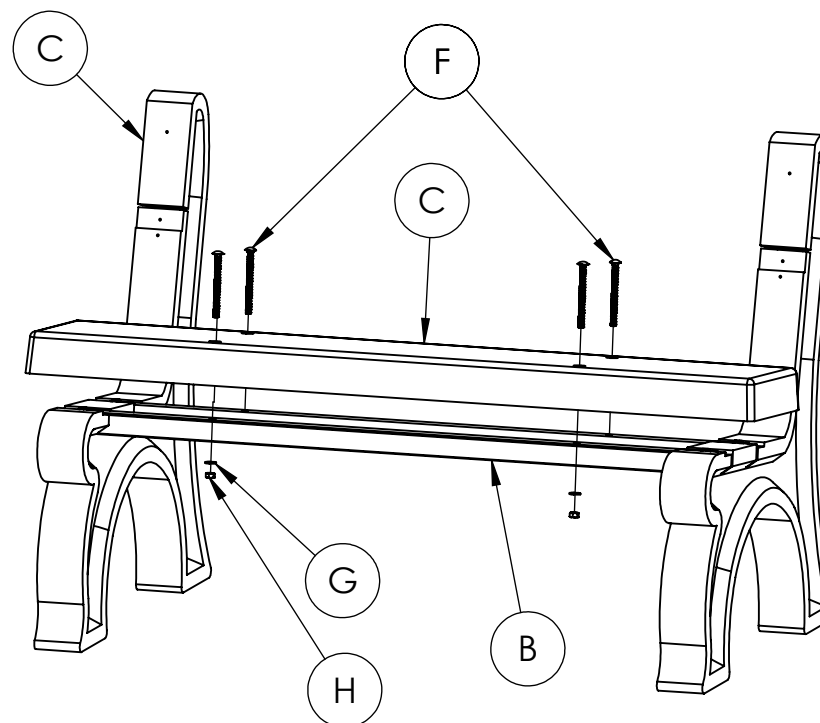
### STEP 1

- Stand both plastic bench ends (A) upright
- Place the support braces (B) into the plastic bench ends (A) as shown
- Make sure to align the holes of the support braces with the predrilled holes in the plastic bench end
- Use (4) 1-1/2" x 1/4" lag screws (I) to fasten the support braces (B) to the plastic bench ends (A)



### Step 2

- Place a plastic board (C) over the plastic end supports (A)
- Align the holes of the plastic board (C) with the holes in the support braces (B)
- Secure with (4) 3" x 5/16" carriage bolts (F), (4) 5/16" washers (G), and (4) 5/16" nylock nuts (H)

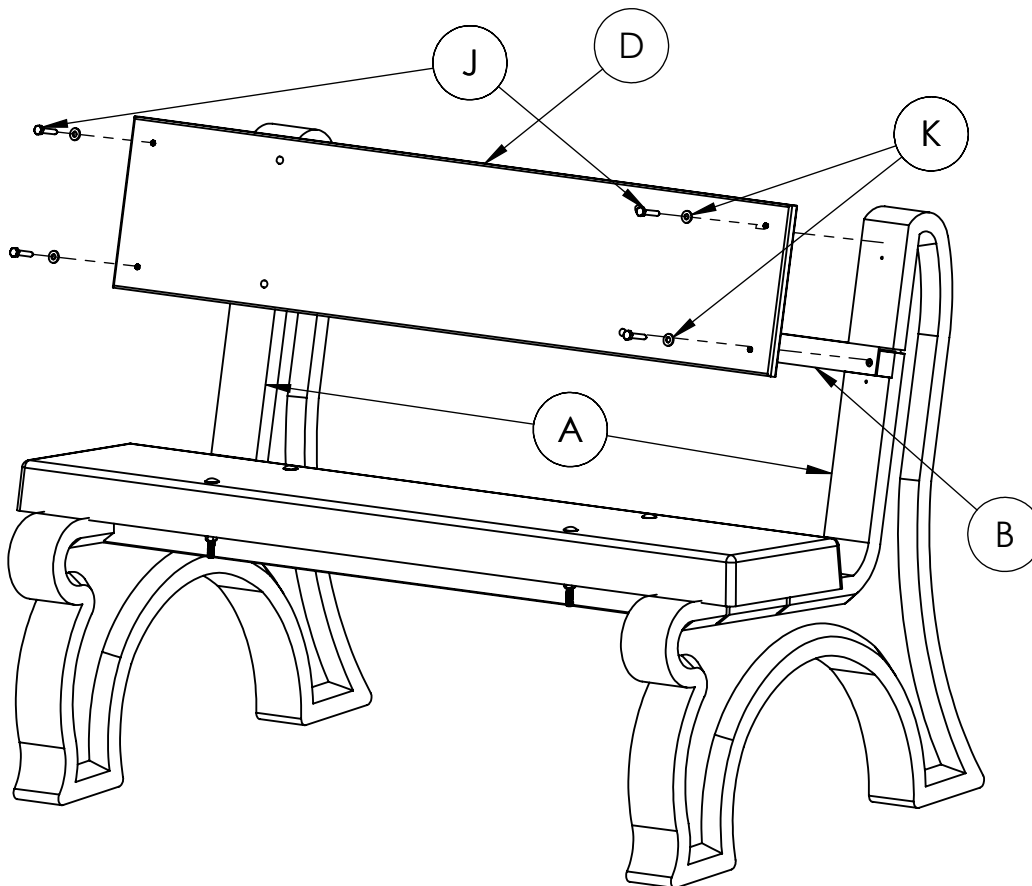


# BENCH INSTRUCTIONS

## BC1620

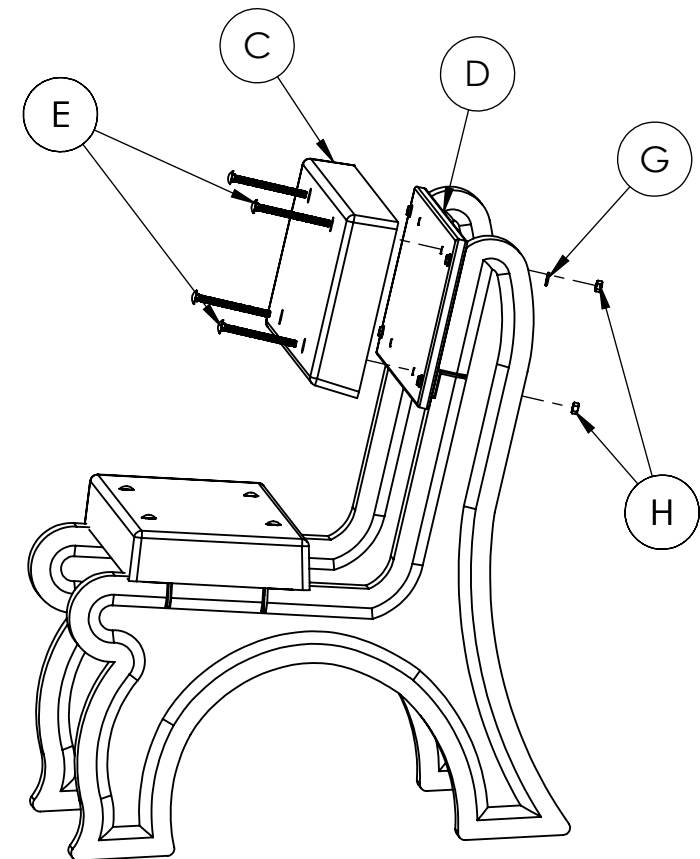
### Step 3

- Place the support brace (B) in the backrest portion of the plastic bench ends (A)
- Align the holes in the support brace (B) with the predrilled hole in the plastic bench ends (A)
- Hold the mounting plate (D) up and align the bottom holes with the holes in the support brace (B)
- Using (4) 2-1/2" x 1/4" lag screw (J) and 1/4" washers (K), attach the mounting plate (D) and support brace (B) to the plastic bench end (A)

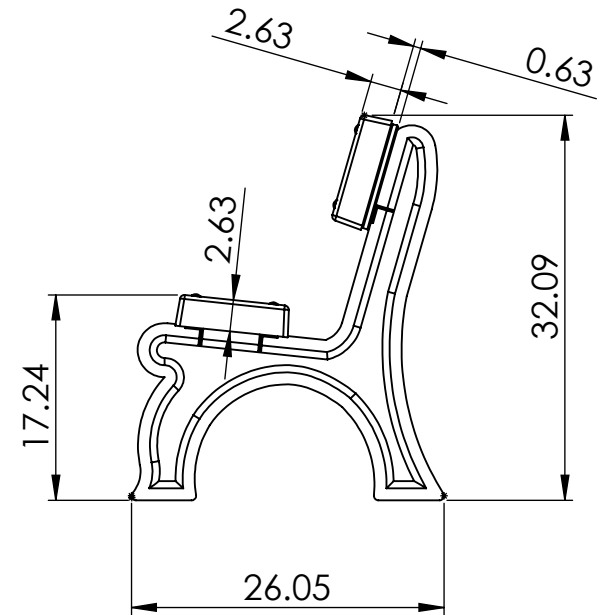
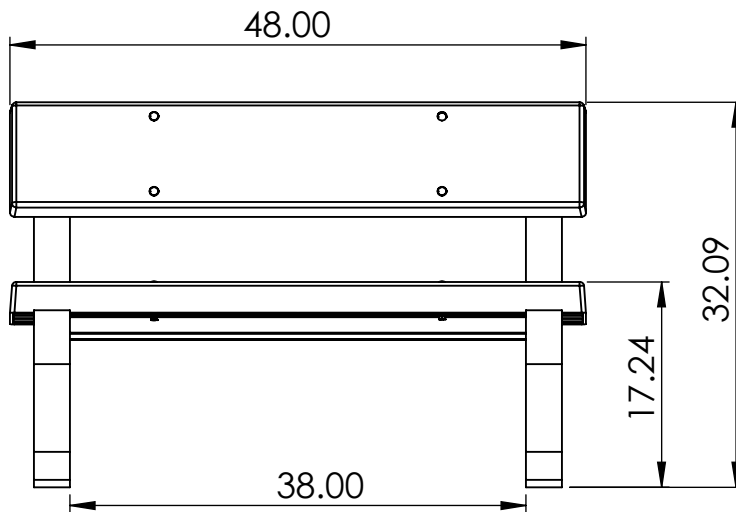
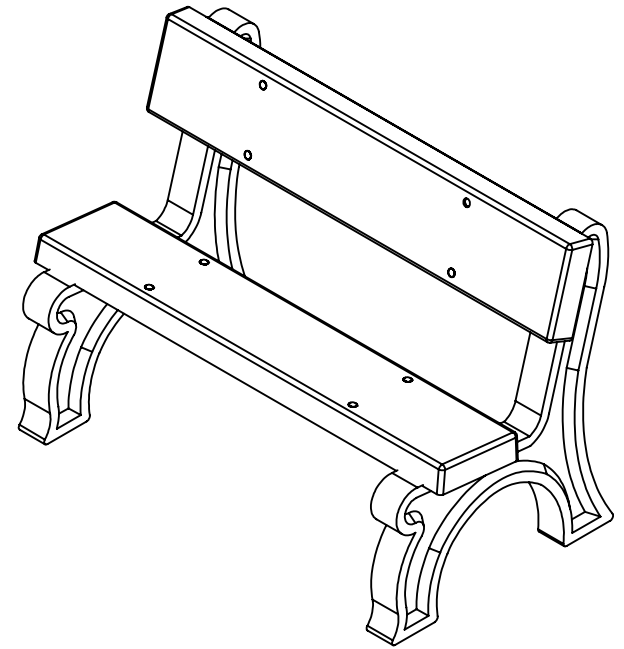
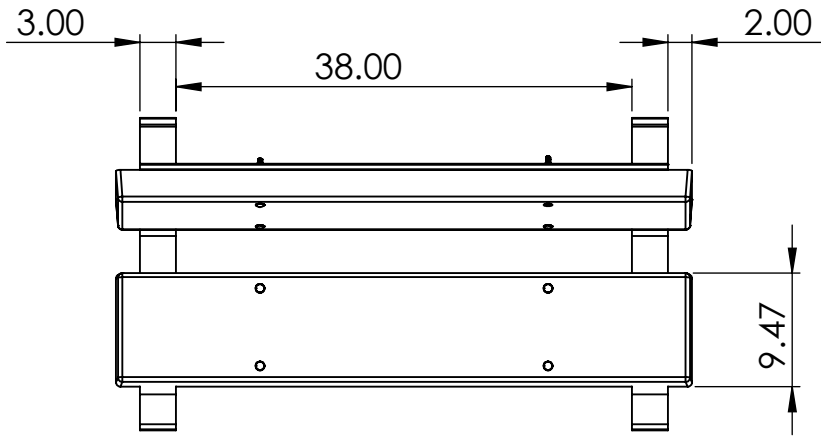


### Step 4

- Hold a plastic board (C) up to the mounting plate (D)
- Insert (4) 4" x 5/16" carriage bolts (E) through the plastic board (C) and mounting plate (D)
- Secure with (4) 5/16" washers (G) and (4) 5/16" nylock nuts (H)
- Square all parts and tighten all hardware



# BENCH SPECIFICATIONS BC1620



ALL DIMENSIONS ARE SHOWN IN INCHES